

Stainless Steel 25mm Pipe Corner Connectors Square Tube Joint

Specifications:

B
r
o
a
d
c
a
s
t
e
r
e
l
e
m
e
n
t
s
o
f
a
p
e
r
i
o
d
i
c
s
q
u
a
r
e
t
u
b
e
j
o
i
n
t

5
9
p
r
e
0
0
h
e
5
2
2
,
5
2
3
,
5
2
4
,
5
2
5

M
a
e
r
j
a
t
a
i
n
l
e
s
s
S
t
e
e
l
2
1
/
3
4
/
3
1
6
D
E
M
&
D
M
b
e
e
v
i
c
e
C
e
a
r
n
i
n
g
s

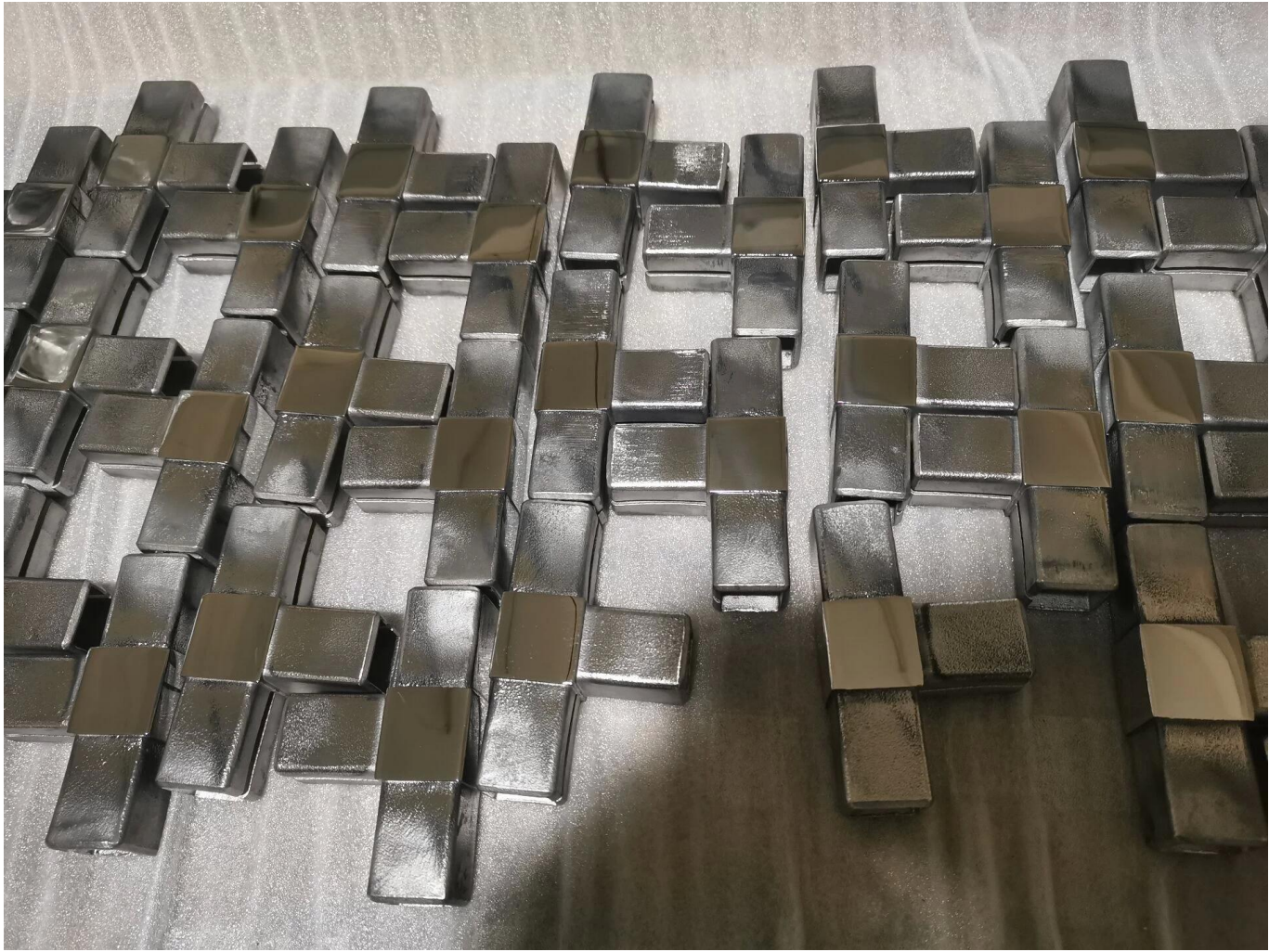
S
a
t
f
a
o
e
m
i
r
o
r
o
r
e
l
e
c
t
r
o
-
p
l
a
t
e
d
i
n
v
a
r
i
o
u
s
c
o
l
o
r
s

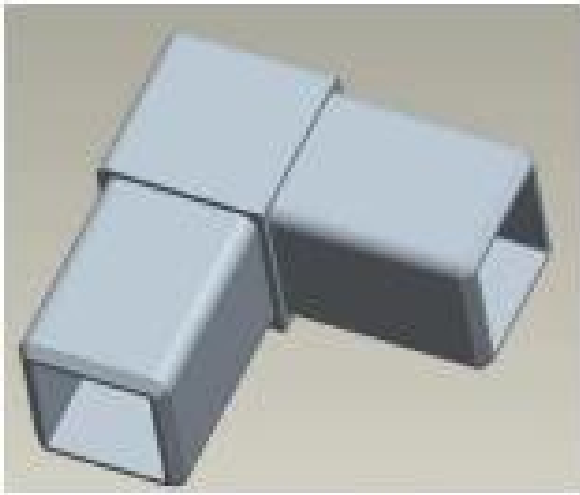
8
5
m
m
*
2
5
m
m
,
3
m
m
*
3
m
m
,
4
m
m
*
4
m
m
o
r
5
m
m
*
5
m
m

M
a
r
c
h
e
n
t
e
r
e
p
&
E
x
p
o
r
t
e
r
s
a
n
d
t
h
e
a
d
t
i
m
e

P
a
k
g
e
t
t
o
n
b
a
g
+
c
a
r
t
o
n
s
o
r
a
s
p
e
r
c
u
s
t
o
m
e
r
s
·
r
e
q
u
e
s
t



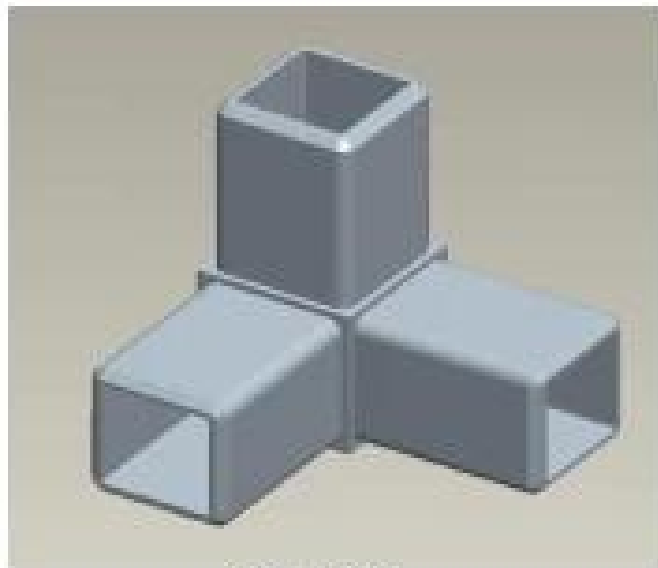




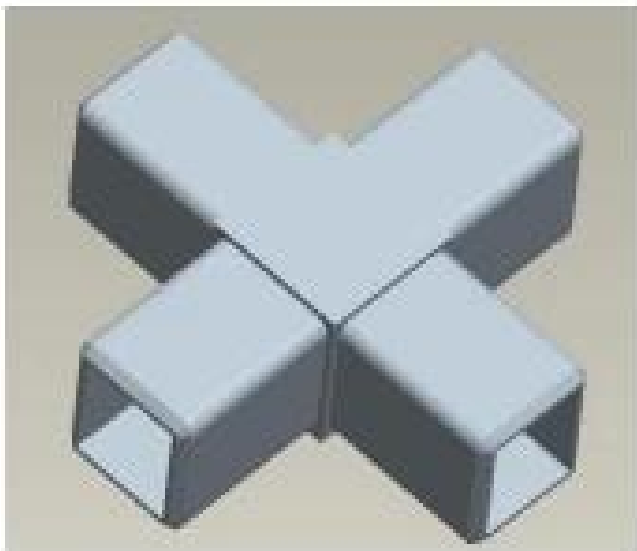
S201



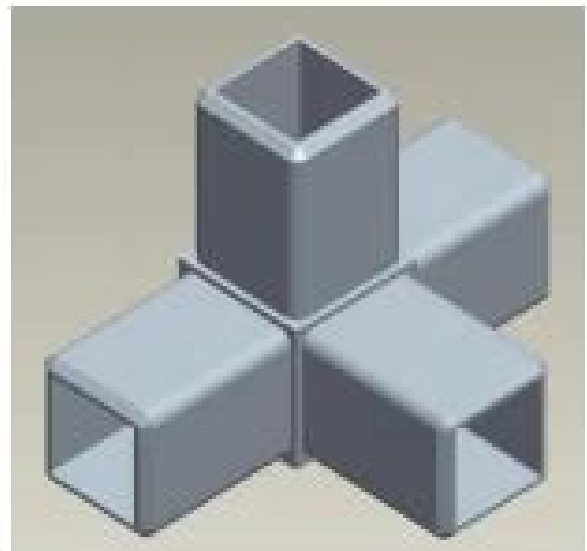
S202



S203



S204



S205

For use with 40*40*1.5(mm) tubes





S401



S402



S403

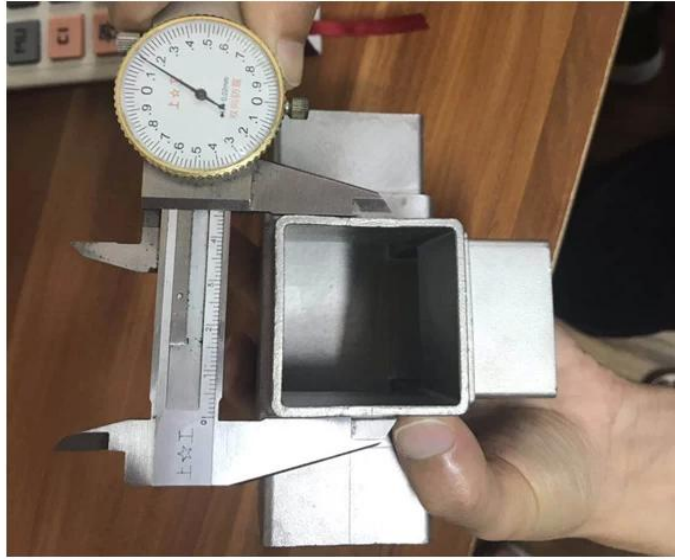



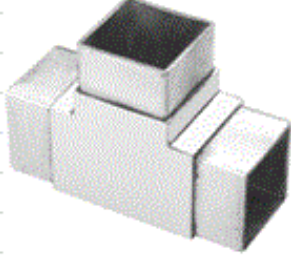



S404



S405

For use with 50*50*2(mm) tubes:



2-way tube connector	For tube dimensions	Model
	40×20×1.5(mm)	S400
	40×40×1.5(mm)	S401
	50×50×1.5(mm)	S501
	51×51×3.2(mm)	S511
3-way tube connector	For tube dimensions	Model
	40×40×1.5(mm)	S402
	51×51×3.2(mm)	S512
	3-way tube connector	For tube dimensions
	30×30×1.5(mm)	S303
	40×40×1.5(mm)	S403
	50×50×2.0(mm)	S503
	51×51×3.2(mm)	S513
4-way tube connector	For tube dimensions	Model
	40×40×1.5(mm)	S404
	50×50×2.0(mm)	S504
	51×51×3.2(mm)	S514
4-way tube connector	For tube dimensions	Model
	40×40×1.5(mm)	S405

Project Photos:



Round Type Stainless Steel Pipe Corner Connector / Pipe Elbow:



Part No.	For tube size	Material	Finish
▪ E301	▪ Φ 42.4mm ▪ Φ 50.8mm	▪ AISI 304 ▪ AISI 316	▪ Satin ▪ Mirror



Part No.	For tube size	Material	Finish
▪ E302	▪ Φ 42.4mm ▪ Φ 50.8mm	▪ AISI 304 ▪ AISI 316	▪ Satin ▪ Mirror



Part No.	For tube size	Material	Finish
▪ E303	▪ Φ 42.4mm ▪ Φ 50.8mm	▪ AISI 304 ▪ AISI 316	▪ Satin ▪ Mirror



Part No.	For tube size	Material	Finish
▪ E304	▪ Φ 42.4mm ▪ Φ 50.8mm	▪ AISI 304 ▪ AISI 316	▪ Satin ▪ Mirror



Part No.	For tube size	Material	Finish
▪ E305	▪ Φ 12mm ▪ Φ 20mm	▪ AISI 304 ▪ AISI 316	▪ Satin ▪ Mirror



Part No.	For tube size	Material	Finish
▪ E306	▪ Φ 50.8mm	▪ AISI 304 ▪ AISI 316	▪ Satin ▪ Mirror



Part No.	For tube size	Material	Finish
▪ E307	▪ Φ 43	▪ AISI 304 ▪ AISI 316	▪ Satin ▪ Mirror



Part No.	For tube size	Material	Finish
▪ B502	▪ Φ 12mm	▪ AISI 304 ▪ AISI 316	▪ Satin ▪ Mirror



Delivery & Packaging

--Delivery: 3-5 days by air. 10-15 days by sea

--Packing: one piece into one plastic bag, 3 pieces into one box.

--Regular lead time: 3-5 days if goods are in stock. 15-20 days if goods are not in stock. (It depends on quantity)





Contact us now for more information:

Email: sales03@launch-china.cn

Mob/Whatsapp: +8613686807796