

Stainless Steel 316 Marine Grade Protector Sleeves for 1/8" Wire Rope Cable Railing Deck Wood Posts



Product Name: Cable Railing Protective Sleeve

Material: Stainless steel AISI316

Cable size: 1/8", 3/16", 1/4"

Customization: available

Surface treatment: Polished

Technology: CNC machining

Application: Outdoor or indoor

Usage: Protects cable from fraying or rubbing on wood or steel posts, perfect where cable transitions up or down a set of stairs, or side to side when making turns, prevents post and cable damage

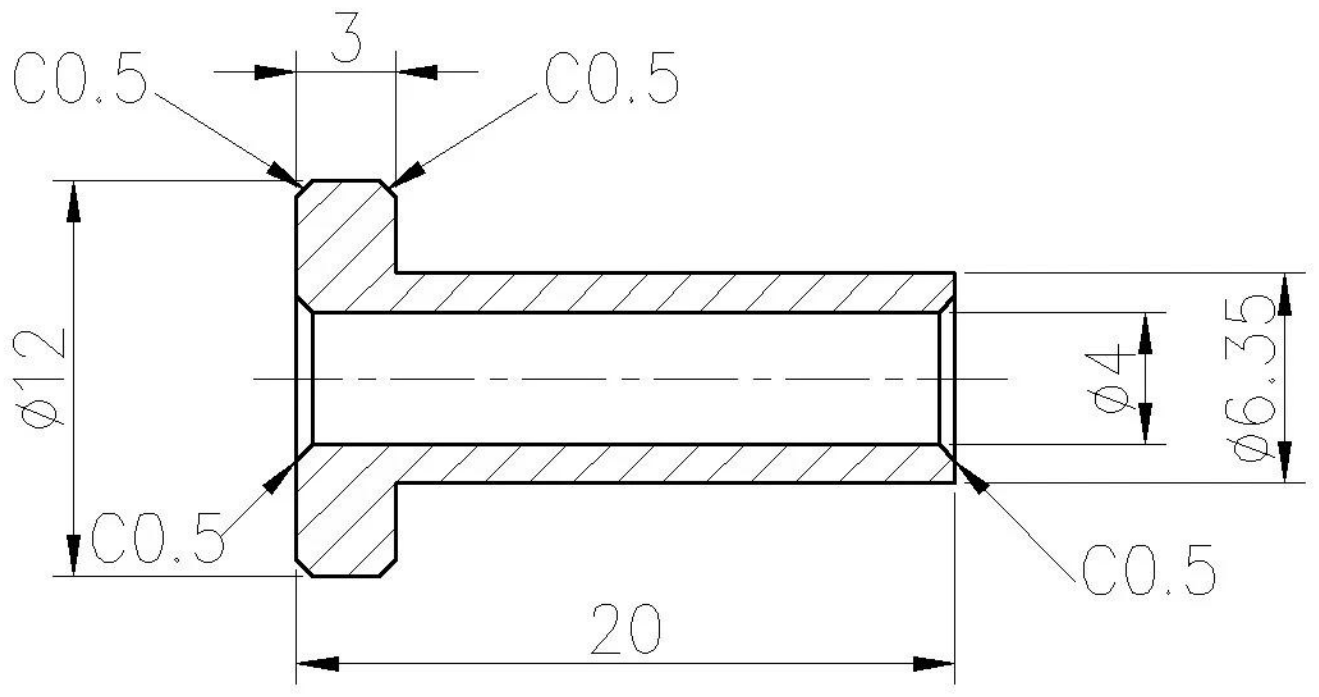
Protective sleeves are made from type 316 stainless steel and serve as both a decorative and functional fitting in cable railing and balustrade systems. There are two sizes with one being for 1/8 inch and 3/16 inch cable and the other being for 1/4 inch cable. The protective

sleeves prevent the cable from rubbing on the holes of the wood posts, while at the same time, provide an appealing and finished look to the face of the post.





Technical drawing:



Application:



More Cable Railing Fitting Designs:



T801



T802



T803



T804



T807A



T809

Welcome to contact us for more information:

Eve

Email: sales03@launch-china.cn

HP/WhatsApp: +8613686807796