

Stainless Steel 316L Glass Spring Self-closing Hinge for Swimming Pool Fence Gate.

Our products will be work for your swimming pool fence gate for sure!

Production description:

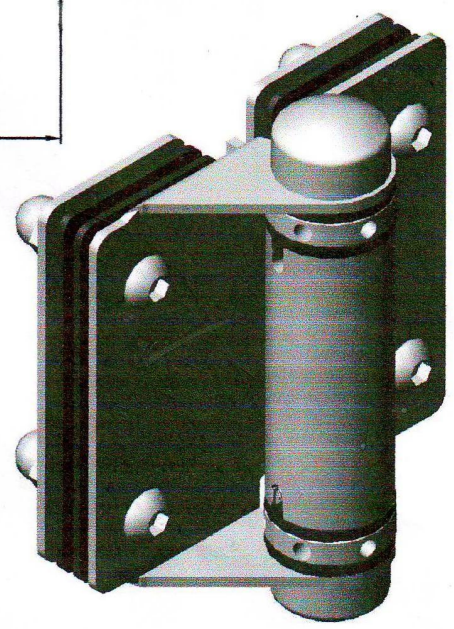
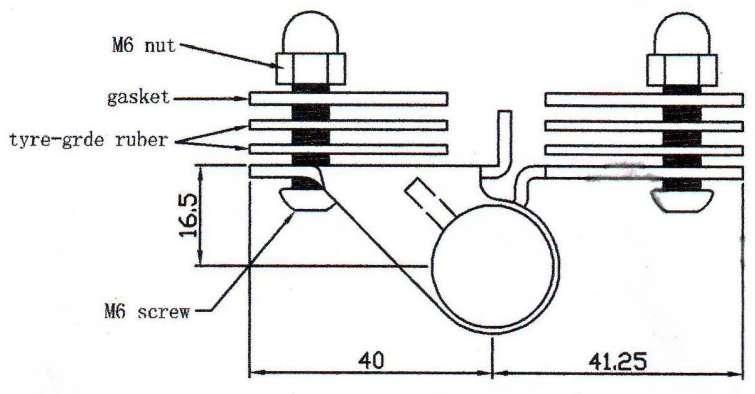
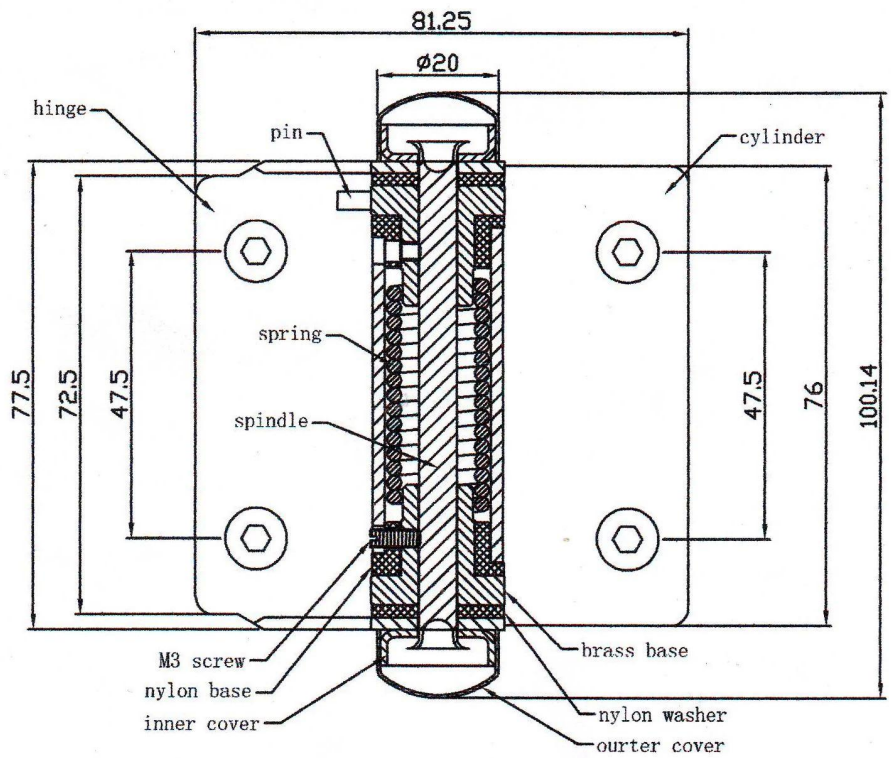
name	G-G1 (sheet metal glass to glass hinge)
material	stainless steel 316L
finish	mirror or satin polished
for glass thickness	8-12mm
MOQ	1 set
function	to connect the glass panel to glass gate, self closing
package details	1. two hinges/inner case 2. four cases/carton 3. as per your requirement
shipping method	by UPS,DHL,FedEX,TNT,by air and by sea

Product photo:

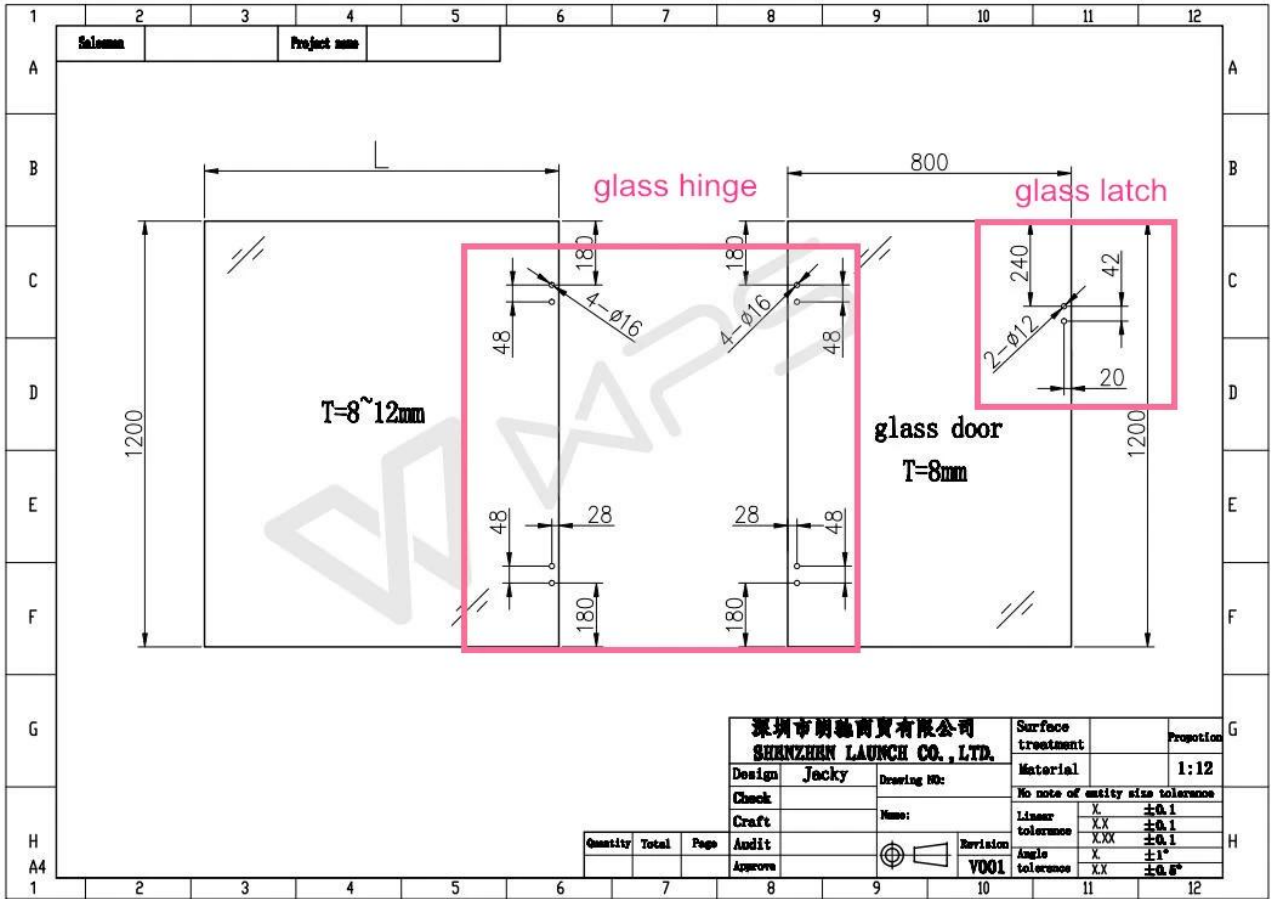


G-G 1

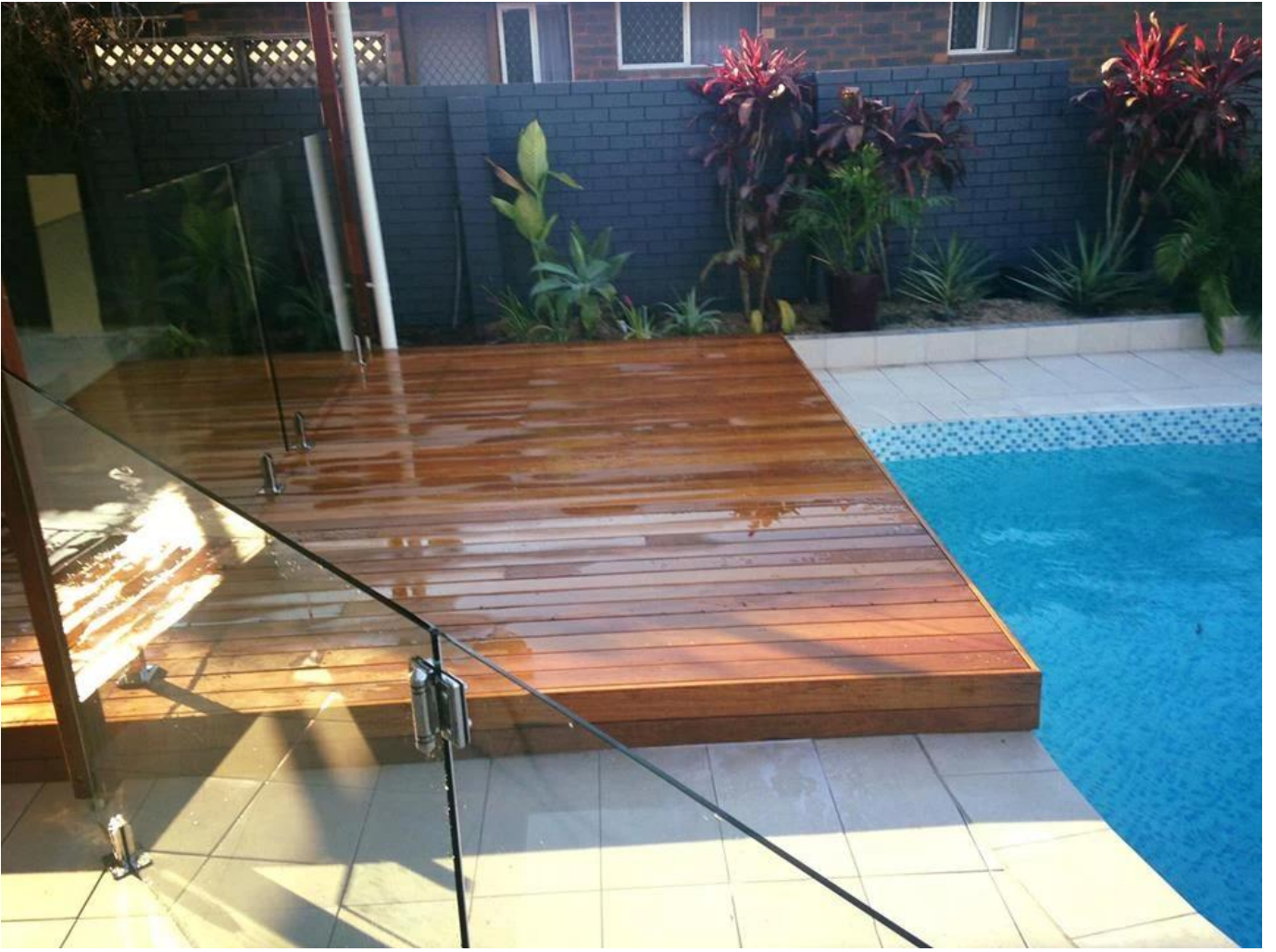
Product technical drawing:



Holes position for glass hinge and glass latch



Project picture for reference.



Other similar products:



G-G 1



G-R 1



G-W 1



If you have any interest in it, please contact us, We will give you the best service.

Wendy: sales04@launch-china.cn

Mobile/ Wechat/ WhatsApp: +86 159 8933 9827.