

Product Specs.

Product name	Glass hinge
Model No.:	G-G1
Material	Stainless steel 304 or 316
Surface finish	Mirror polished, stain brushed, matte black
Glass thickness	8-12mm
Features	Spring loaded, self-closed
Application	Swimming pool frameless fencing, balcony glass railing

Product Show

Glass to Glass type

Model No.: **G-G1**

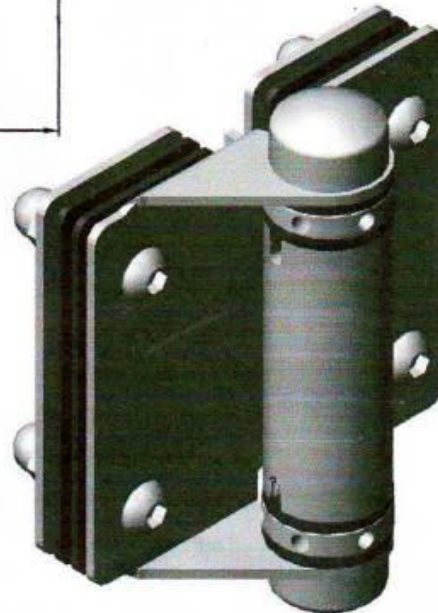
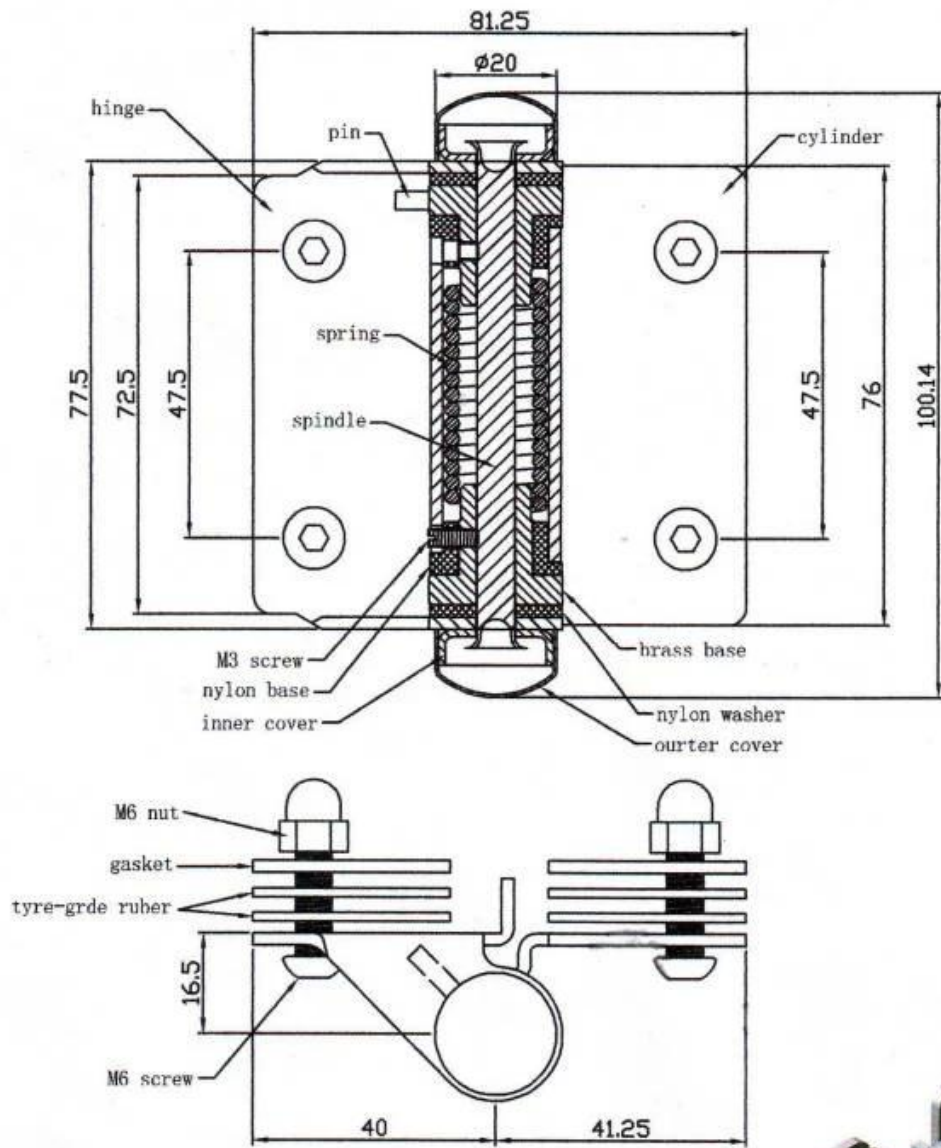




Details for all components



Technical drawing



Other types of glass hinge

Big size glass hinge, one pair load 30kg

Glass spring hinge

Spring loaded hinges

Stainless steel spring loaded hinges
-Made of SS 316
- For use of 8-12.76mm glass

Maximum door leaf weight : 30 kg /pair
Maximum door leaf width : 900mm
Spring can be adjusted for closing speed control .



Part # G-G



Part # G-R



Part # G-W



Other small size



G-W 1



G-R 1



G-G 1



G-W 2



G-R 2



G-G 2

Mass Production





Packing Picturer





Application Picturer





Should you have any interests, please feel free to contact me.

Frank Fang

Phone/Wechat/Whatsapp: +8615906261741

Email: sales02@launch-china.cn