

## Stainless Steel Handrail Railing Connectors For Square Tubes

### Specifications:

Item	<b>Stainless Steel Handrail Railing Connectors For Square Tubes</b>
Material	Stainless steel 304.316.316L
Size	40*40(mm), 50*50(mm)
MOQ	10 pcs
Packing	1pcs With One PP Bag +Inner White Box +Cartob Box+Pallet
Surface	Satin or mirror
Sample	1-3PCS for free,Freight collect.
Delivery time	5-20 workdays depends on order quantity
Payment	General T/T 30% in advance,And balance against BL copy

### Product Models:

#### 180 degree square tube connector joint



2/3/4 way connectors for use with 40\*40\*1.5(mm) tubes:



**S401**



**S402**



**S403**



**S404**


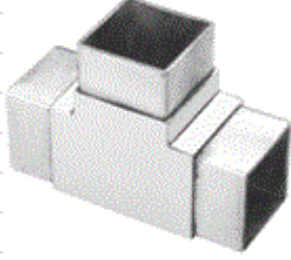





**S405**

3-way and 4-way connectors for use with 50\*50\*2(mm) tubes:



More dimensions available:

2-way tube connector	For tube dimensions	Model
	40×20×1.5(mm)	S400
	40×40×1.5(mm)	S401
	50×50×1.5(mm)	S501
	51×51×3.2(mm)	S511
3-way tube connector	For tube dimensions	Model
	40×40×1.5(mm)	S402
	51×51×3.2(mm)	S512
	3-way tube connector	For tube dimensions
	30×30×1.5(mm)	S303
	40×40×1.5(mm)	S403
	50×50×2.0(mm)	S503
	51×51×3.2(mm)	S513
4-way tube connector	For tube dimensions	Model
	40×40×1.5(mm)	S404
	50×50×2.0(mm)	S504
	51×51×3.2(mm)	S514
	4-way tube connector	For tube dimensions
	40×40×1.5(mm)	S405

**Project Photos:**



**Round Type** Stainless Steel Pipe Corner Connector / Pipe Elbow:



Part No.	For tube size	Material	Finish
▪ E301	▪ $\Phi$ 42.4mm ▪ $\Phi$ 50.8mm	▪ AISI 304 ▪ AISI 316	▪ Satin ▪ Mirror



Part No.	For tube size	Material	Finish
▪ E302	▪ $\Phi$ 42.4mm ▪ $\Phi$ 50.8mm	▪ AISI 304 ▪ AISI 316	▪ Satin ▪ Mirror



Part No.	For tube size	Material	Finish
▪ E303	▪ $\Phi$ 42.4mm ▪ $\Phi$ 50.8mm	▪ AISI 304 ▪ AISI 316	▪ Satin ▪ Mirror



Part No.	For tube size	Material	Finish
▪ E304	▪ $\Phi$ 42.4mm ▪ $\Phi$ 50.8mm	▪ AISI 304 ▪ AISI 316	▪ Satin ▪ Mirror



Part No.	For tube size	Material	Finish
▪ E305	▪ $\Phi$ 12mm ▪ $\Phi$ 20mm	▪ AISI 304 ▪ AISI 316	▪ Satin ▪ Mirror



Part No.	For tube size	Material	Finish
▪ E306	▪ $\Phi$ 50.8mm	▪ AISI 304 ▪ AISI 316	▪ Satin ▪ Mirror



Part No.	For tube size	Material	Finish
▪ E307	▪ $\Phi$ 43	▪ AISI 304 ▪ AISI 316	▪ Satin ▪ Mirror



Part No.	For tube size	Material	Finish
▪ B502	▪ $\Phi$ 12mm	▪ AISI 304 ▪ AISI 316	▪ Satin ▪ Mirror



### **Delivery & Packaging**

--Delivery: 3-5 days by air. 10-15 days by sea

--Packing: one piece into one plastic bag, 3 pieces into one box.

--Regular lead time: 3-5 days if goods are in stock. 15-20 days if goods are not in stock. ( It depends on quantity)







Contact us now for more information:

Email: [sales03@launch-china.cn](mailto:sales03@launch-china.cn)

Mob/Whatsapp: +8613686807796