

Stainless Steel Spigot Glass Railings



Main Features for Glass Spigot:

- Australian Standard AS 1926.1-2012: Safety Barriers for Swimming Pools
- Marine grade duplex 2205 stainless steel
- Available finishes in satin, mirror and electro-plating in varied colors
- Easy DIY Installation
- Two spigot designs: square and round
- Spigots can be installed in-ground or via a base plate
- Friction Fit Glass (no holes in glass required)
- Suits 8-13.52mm thick glass
- 50mm Front profile
- 4 x 11mm Counter Sunk Holes for timber screw or Countersunk bolt installation
- Extra 4 holes adjustable screws & plate for **levelling adjustment**
- Suitable for Glass Balustrade or Pool Fence Application

- Large stocks available for hot-sale models

- K
e
b
h
n
h
M
S
S
B
E
M
I
Z
o
.
G
l
a
S
S
S
e
E
n
n
a
m
E
g
o
t

S
t
a
i
n
l
e
s
s
s
t
e
M
h
t
@
f
b
a
b
r
D
u
p
l
e
x
2
2
5

P
o
l
i
s
h
e
d
,
s
a
t
i
n
o
r
E
l
i
c
i
t
s
h
e
p
l
a
t
e
d
i
n
b
l
a
c
k
/
g
o
l
d

C
o
n
f
i
g
u
r
a
t
i
o
n
b
n
s
t
e
h
h
e
a
s
i
n
d
e
a
s
y
t
o
i
n
s
t
a
l
l

F
o
r

g
B
a
s
s
.
b
B
m
m
k
n
e
s
s

S
t
a
n
d
a
r
d
p
a
c
k
a
g
i
n
g
w
i
t
h
o
u
t
a
H
A
L
E
g
e
c
a
n
a
d
j
u
s
t
c
u
s
t
o
m
e
r
s
r
e
q
u
e
s
t

T / T3 % d e p o s i t a d d v a p p a r e n c e s b e f o r e s h i p p i n g

1
-
2
w
e
e
k
D
e
l
i
v
e
r
y
c
o
n
t
e
n
t
i
n
t
i
o
n
l
p
c
p
M
O
R
t
e
m

Products Show:

Stainless Steel Spigot Glass Railings:





KEBIL 科比奥®



Project Photo:



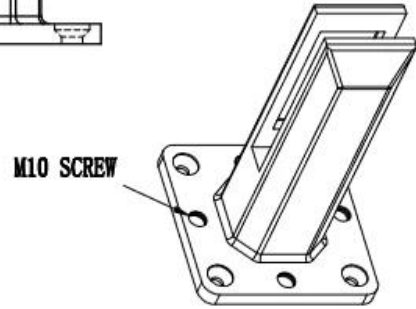
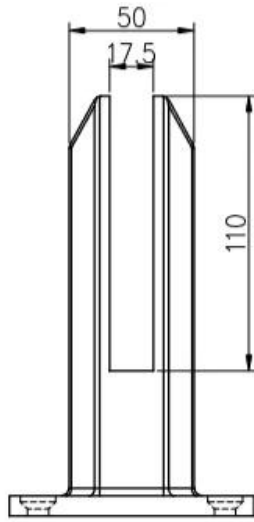
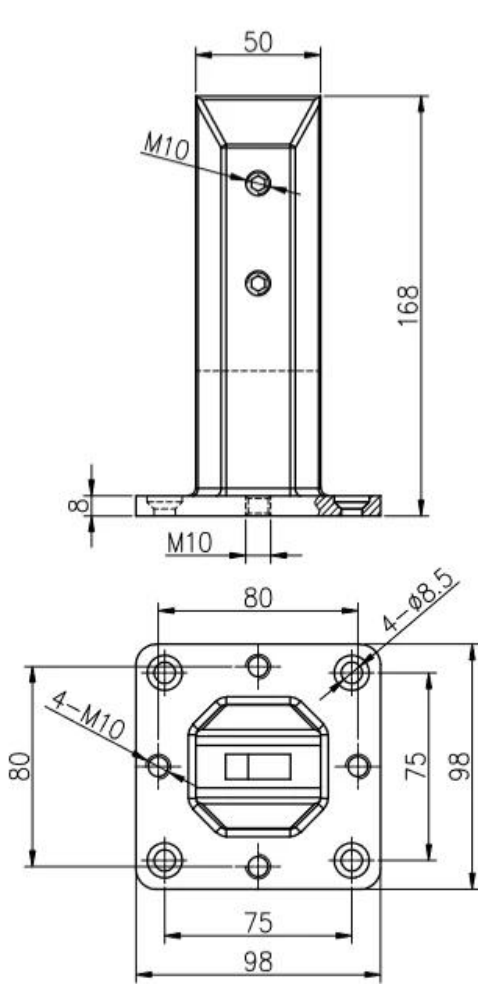
Gold polished Stainless Steel Fence Clamp Glass Pool Fence Spigot SBM-3:



Black polished Stainless Steel Fence Clamp Glass Pool Fence Spigot RBM:



Technical Drawing:



深圳市朗馳商貿有限公司 SHENZHEN LAUNCH CO., LTD.		Surface treatment	Proportion
Design	Jacky	Material	1:2
Check	Drawing NO: SM	No note of entity size tolerance	
Craft	Name:	Linear tolerance	X ±0.1
Audit	Revision	XX	±0.1
Approve	VOG1	Angle tolerance	X ±1°
			XX ±0.5°

Packing:





Project photos:

[SBM in Mirror finish:](#)





Shenzhen Launch Co., Ltd is a professional manufacture with design, production and sales of stainless steel hardware, glass railing fittings, handrails accessories and other products.

Packing & Delivery

Packing Details :

1. Each spigot is wrapped with plastic film and air bag, and then put in a carton.
2. 100 spigots are packed in one box plywood case.
3. Also can be packed as clients' requirements.

Delivery Details : 10-15 workdays after payment.

Contact us now for more information!

Email: sales03@launch-china.cn

HP/WhatsApp/WeChat: +8613686807796