

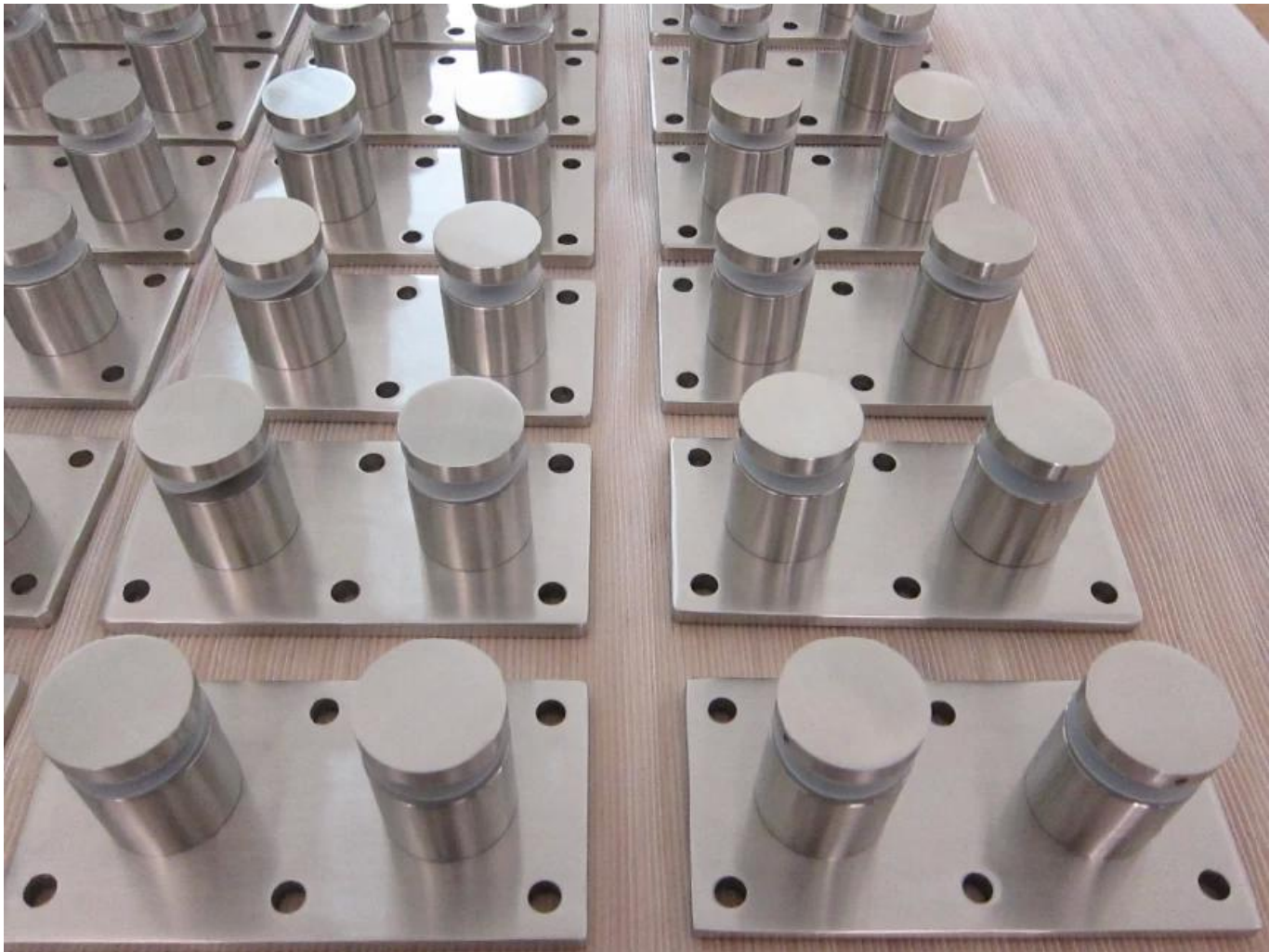
## Stainless Steel Standoff Clamp, Juliet Balcony And Bolted Glass System

Product Name	Stainless Steel Standoff Clamp, Juliet Balcony And Bolted Glass System
Model No.	SF-50T
Material	Stainless Steel 304/316
Finish	Mirror polished, or satin prushed
Glass standoff size	50x12mm cap,50x44mm body,200*100*10 base
For glass thickness	12-19mm, or as per customers' requirements
Drilled Glass Hole	Diameter 14mm required in glass
Net weight	3236g/piece
Mounting	wooden, steel or concrete substrate
MOQ	One piece
Sample	Available
OEM & ODM service	Acceptable
Application	Indoor and outdoor staircases design,balcony railing,deck frameless glass railing, Juliet balcony design, floating staircase
Factory Inspection	Available
Standoff packing	One piece into one bubble bag, then into one white box, 12 pieces into one cardboard carton or packing as per customers' requirements

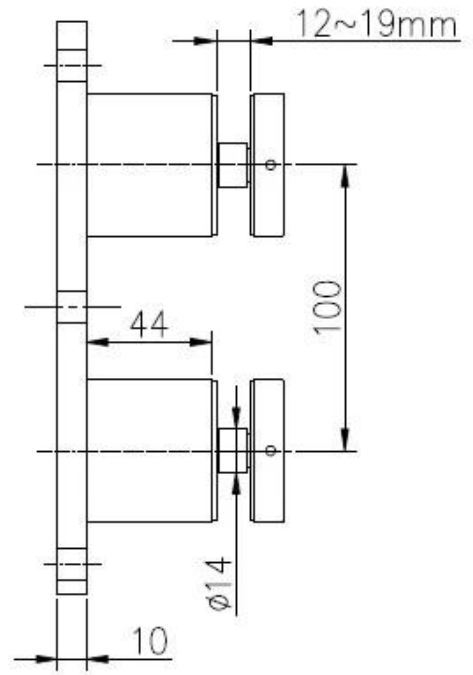
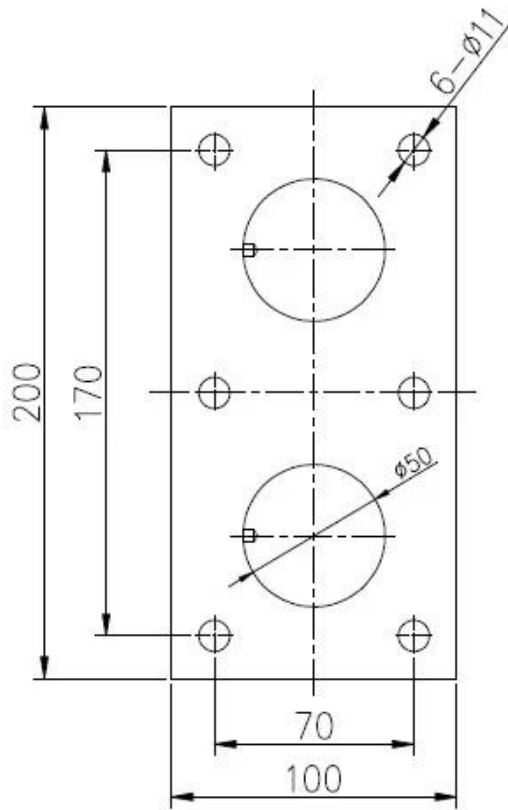
### Product Show:

**KEBIL** 科比奥®





**Technical Drawing:**



**Project Photos:**



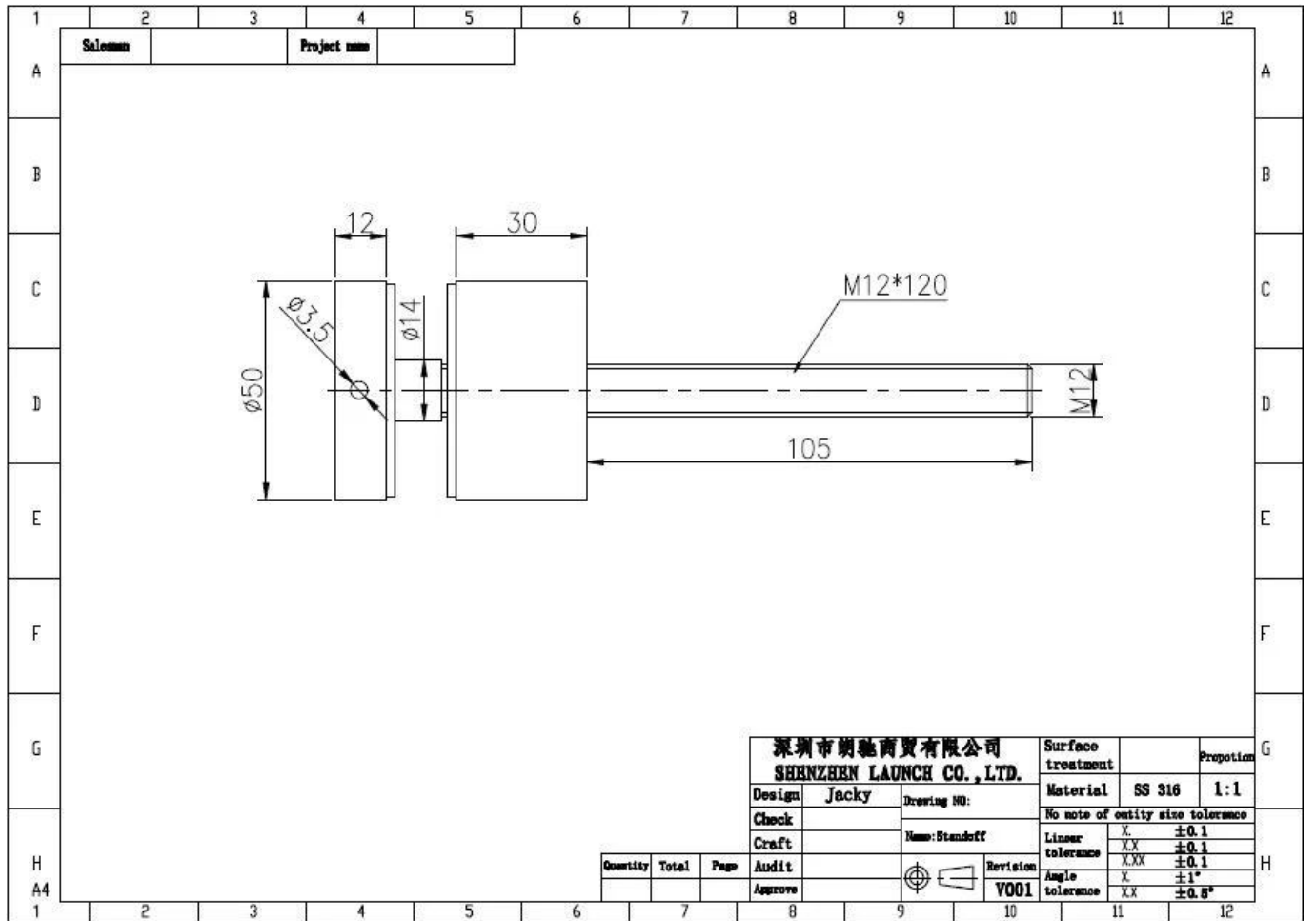
**OTHER TYPES GLASS RAILING STANDOFFS AVAILABLE:**  
**Dia 50mm Glass Standoff in Mirror / Satin Finish Model SF-50:**



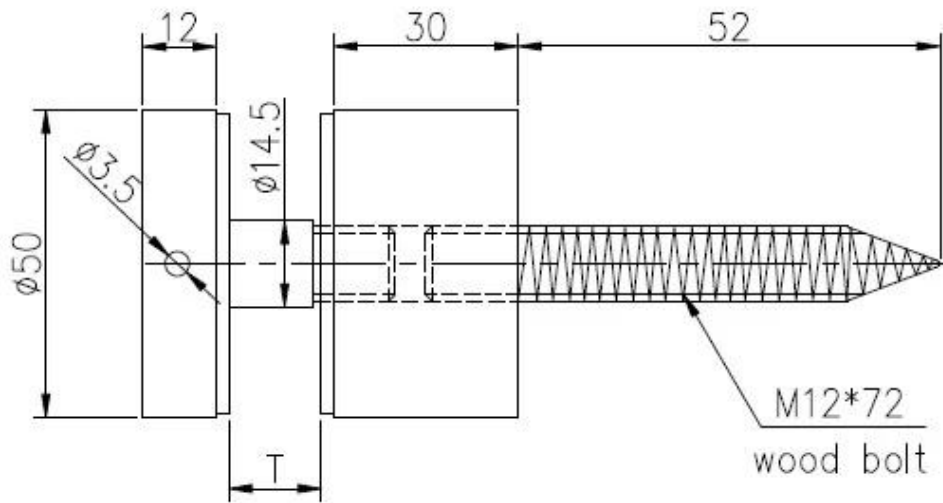
**With concrete bolt & wood screw Model SF-50W:**



**Technical drawing:**







深圳市朗馳商貿有限公司 SHENZHEN LAUNCH CO., LTD.			Surface treatment		Proport
			Material		1:1
Design	Jacky	Drawing NO: SF-60		No note of entity size tolerance	
Check		Name: Standoff		Linear tolerance	X ±0.1
Craft				X.X ±0.1	
Audit				Revision	X.XX ±0.1
Quantity	Total	Page	Approve	Angle tolerance	X ±1°
				X.X ±0.5°	
				V001	

**Project Photos:**

outdoor and indoor glass standoff, frameless standoff glass railing design, stainless steel glass standoff bracket, glass standoff pin



**[Stainless steel glass standoff for frameless glass balustrade](#)**



**[stainless steel standoff, bracket for glass panels, railing design](#)**



Company info:

Shenzhen Launch Co., Ltd was established in 2004, located at Nanshan District, Shenzhen, and one hour by car from Hongkong International Airport. Our main product is high-grade building materials includes stainless steel balustrade post, staircase handrail, balcony guardrail, swimming pool fence and other high-grade building materials. All the products are designed strictly according to the high-end market requirements. We have our own factory in Tangxia Town, Dongguan, has a variety of precision equipment more than 50 sets: CNC lathe, milling machine, punching machine, pipe cutter, argon welder, drilling machine, polisher, etc. which can provide customers with complete product processing services. With the German SPECTRO Spectrometer, we insist on testing every batch of materials to ensure that the material is highly qualified. We also have hardness gauge, secondary element and other test equipment to ensure the products meets customers' requirements.

## ABOUT US



# OUR ADVANTAGE

Please do not hesitate to contact us if you have any requirement regarding our production lines, you can expect a timely reply with professional solutions!



Own factory, shortest lead time.



Can help customers design product drawings based on customer ideas and design engineering installation drawing according to the customer site sketch.



Sample order, trial order acceptable.



Provide material test report to ensure that the material is qualified.



13 years of industry experience, we can help customers recommend the best solution to help customers save cost.

# OUR FACTORY

More than 13 years experience in hardware industry design and processing, we can provide customized services from design to the sample and small batch trial production.



# OUR CERTIFICATE

With premium quality, competitive price and superior service, we won a lot of customers' favor.  
Our products are popular in North America, European and Australia.



# PRODUCTION PROCESS



Casting



CNC lathe



CNC Milling



Stamping



Drilling & Tapping



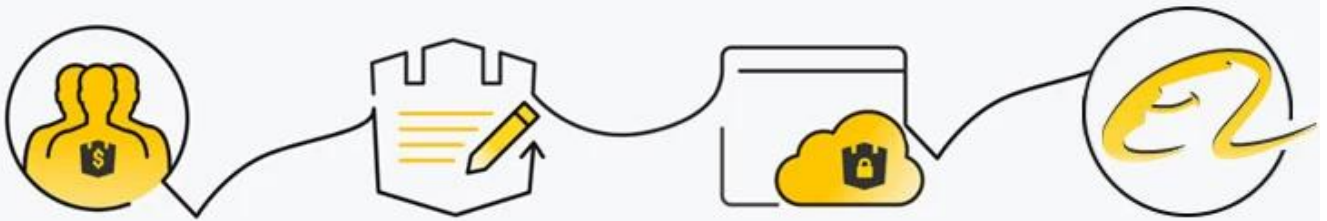
Polishing





# PAYMENT & TRANSPORTATION

Welcome Alibaba Trade Assurance Order!



- 1 Start an order
- 2 Negotiate terms with our sales service & confirm order
- 3 Make payment
- 4 Alibaba provide full assurance



# FAQ

## 1. What materials do you have?

SS304, SS316, SS316L, Duplex 2205, etc.

## 2. Can you send me your whole price list?

Sorry, as the price related to many factors, such as quantity, material type, surface treatment and so on, we will offer you exact quote after we confirm your detailed requirements.

## 3. Do you offer OEM & ODM service?

Yes, we can make the products according to your technical drawings or samples, we are professional in investment casting, die casting, stamping, CNC machining, etc.

## 4. What kind of payment you accept?

T/T, L/C, PayPal, West Union, etc.

## 5. What is your payment term?

TT(30/70) or LC at sight.

## 6. What is your delivery time?

Within 5 workdays for hot-sale items, 15-25 workdays for batch orders.

## 7. Do you offer after-sales service?

Of course, any question after you purchase our products, we will get back to you within 24 hours.

**Contact us now for more information!**

**Email: [sales03@launch-china.cn](mailto:sales03@launch-china.cn)**

**Mob: +8613686807796**