

Stainless Steel Wire Rope Tensioner

Technical specifications:

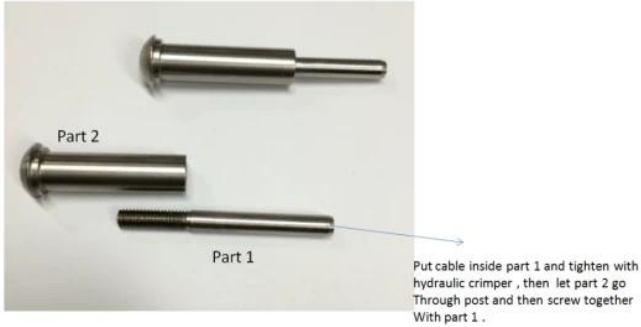
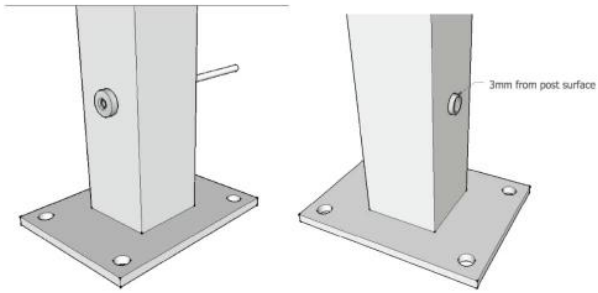
product name	Stainless Steel Wire Rope Tensioner
Material	304/316 stainless steel
to end	Brushed shiny or satin mirror
For cable diameter	3mm.
Net weight	74 g / couple.
Hydraulic crimson	Yes, hydraulic crimping required to tighten the cable
Tensioner installation for cables	Post in steel or stainless steel
Manufacturer method	CNC processing (high quality)
Tensioner safety packaging for cables	(1) Bubble bag - Box - Cardboard (2) According to customer needs.
Application of the tensioner for cables	Interior and exterior balcony / deck / for stairs / cables designation
MOQ.	A pair (2 pieces)
Sample	Available
Factory inspection	Acceptable
OEM and ODM service	Acceptable





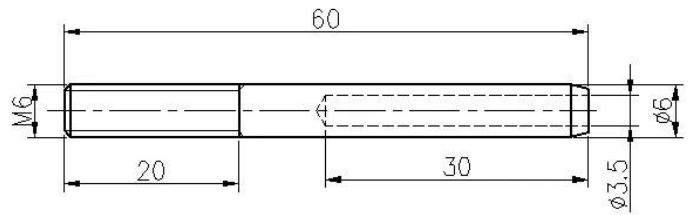
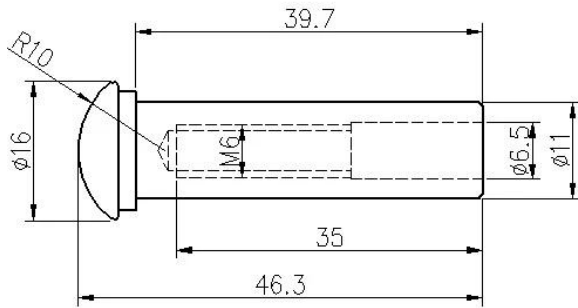
Installation:

Cable fitting T807A installtion



Hydraulic Crimper

Technical design:



ProjectPhotos:



Stainless steel type 316 has the best corrosion resistance between standard stainless steels. It resists pitting and corrosion with most chemicals and is particularly resistant to salted water corrosion.

These can be used for a variety of applications. Sailboats and yachts, cables railing and shaded sails.

1) Material: 316 stainless steel or 304 stainless steel

2) Surface finish: polished or brushed satin

3) Standard: metric and non-uniform

4) Customer Design: Our experienced engineer team can develop products and production in accordance with samples, designs or only ideas

5) Delivery: by sea, airway or by express service

6) Price term: fob or cif

7) Dimensions: 3 mm to 6 mm or according to your requests

8) Type: Flared frontier of the front headboard, reliabiated end of Alathead and end at Domehead Spavaldo

9) Packaging: Clean poly and carton bags and pallets or according to requests

10) For further adjustment of the swage, send us an e-mail for the complete catalog

Shenzhen Launch Co., Ltd was established in 2004, located at Nanshan District, Shenzhen, and one hour by car from Hongkong International Airport. Our main product is high-grade building materials includes stainless steel balustrade post, staircase handrail, balcony guardrail, swimming pool fence and other high-grade building materials. All the products are designed strictly according to the high-end market requirements. We have our own factory in Tangxia Town, Dongguan, has a variety of precision equipment more than 50 sets: CNC lathe, milling machine, punching machine, pipe cutter, argon welder, drilling machine, polisher, etc. which can provide customers with complete product processing services. With the German SPECTRO Spectrometer, we insist on testing every batch of materials to ensure that the material is highly qualified. We also have hardness gauge, secondary element and other test equipment to ensure the products meets customers' requirements.

ABOUT US

Our Team



OUR ADVANTAGE

Please do not hesitate to contact us if you have any requirement regarding our production lines, you can expect a timely reply with professional solutions!



Own factory, shortest lead time.



Can help customers design product drawings based on customer ideas and design engineering installation drawing according to the customer site sketch.



Sample order, trial order acceptable.



Provide material test report to ensure that the material is qualified.



13 years of industry experience, we can help customers recommend the best solution to help customers save cost.

OUR FACTORY

More than 13 years experience in hardware industry design and processing, we can provide customized services from design to the sample and small batch trial production.



OUR CERTIFICATE

With premium quality, competitive price and superior service, we won a lot of customers' favor.
Our products are popular in North America, European and Australia.



PRODUCTION PROCESS



Casting



CNC lathe



CNC Milling



Stamping



Drilling & Tapping



Polishing

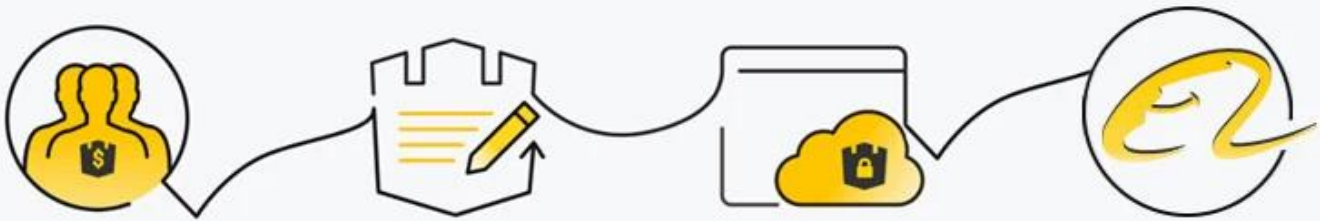


PACKAGING & DELIVERY



PAYMENT & TRANSPORTATION

Welcome Alibaba Trade Assurance Order!



- 1 Start an order
- 2 Negotiate terms with our sales service & confirm order
- 3 Make payment
- 4 Alibaba provide full assurance



Contact us for more information:
MB / WHATSAPP: +8615989339827

E-mail: sales04@launch-china.cn.