

Stainless Steel Wire rope Threaded Turnbuckle
Swageless to tighten 4mm 5mm 6mm diameters cables applied for Cable Wire Railings .

I. Features-

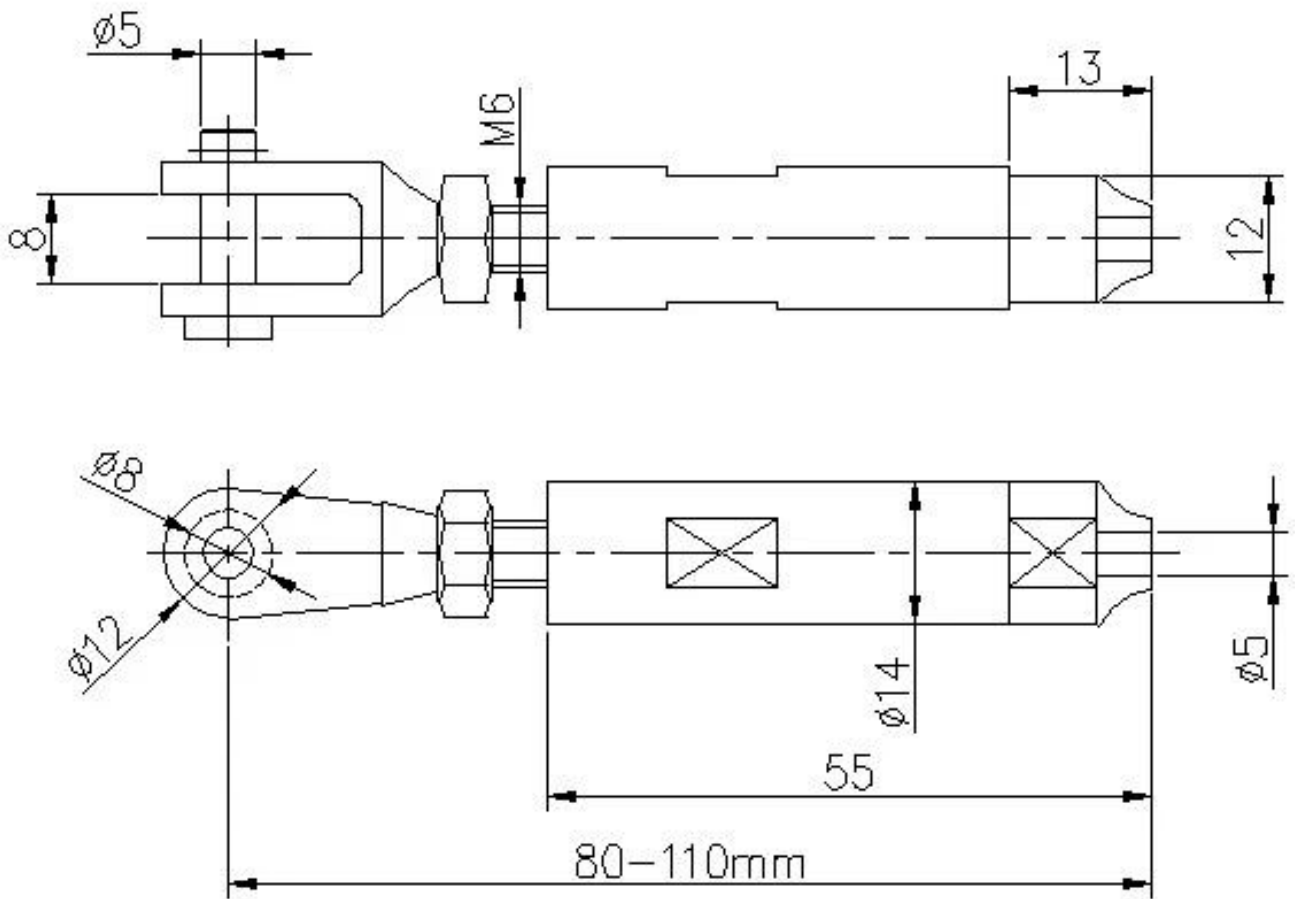
Item	Stainless Steel Wire rope Threaded Turnbuckle Swageless
For wire rope diameter	4mm 5mm 6mm
Material	304/316 stainless steel
Finish	satin , mirror
1 set includes	2 pcs , 1 pc used on the left , the other pc used on the right
Tightening type	Swageless , no need hydraulic crimper

II. PHOTO & DIMENSIONS of Stainless Steel Wire rope Threaded Turnbuckle Swageless -

Model # T803



Drawing of T803 wire rope tensioner -



How to install T803 wire rope tensioner ?







Mount to concrete



If mount to wood, the end bolt have to change to this

III. More designs of Cable Wire Turnbuckles-



Project photos of wire rope balustrades with T803 Wire rope Threaded Turnbuckle Swageless-

