

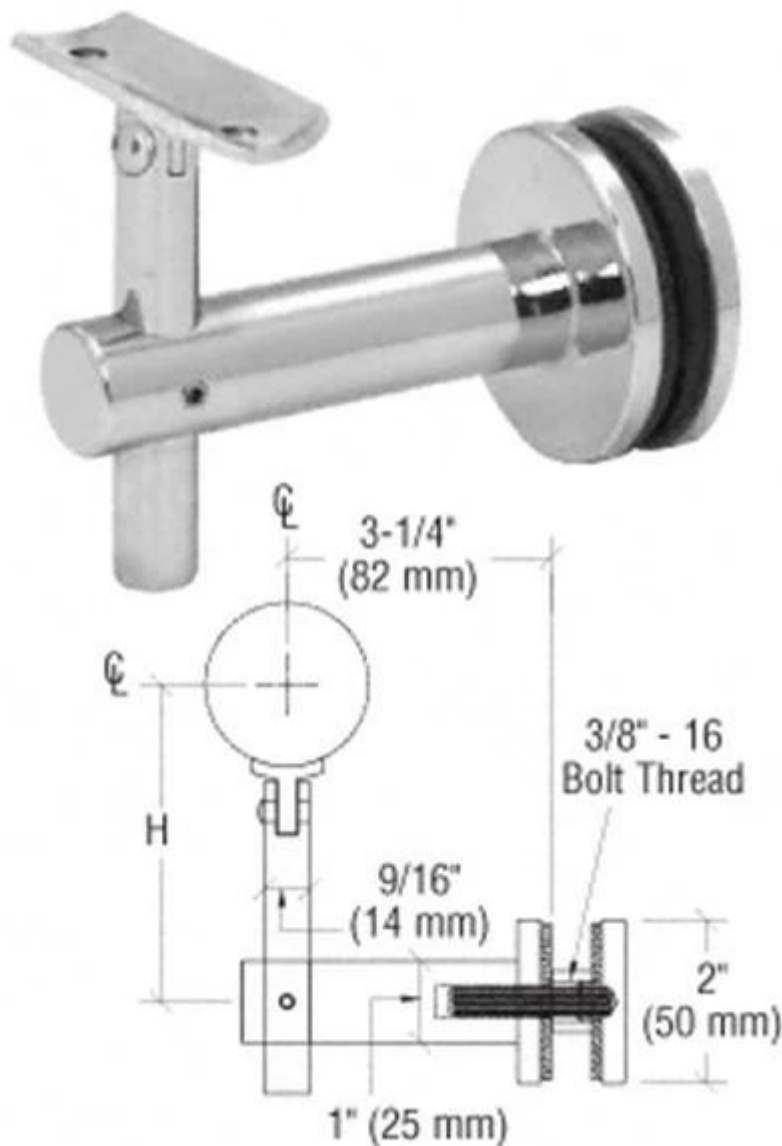
Stainless steel glass handrail bracket is double functioned: one base side is designed to hold the glass panel and the other top bracket is designed to support top handrail. This bracket is widely used in the staircase, balcony and terrace.

It can hold Min **1/4" to Max 3/4" thick glass**. The square top handrail can be 40\*40/50\*50mm and round top handrail 38/43/50.8mm

Details

Finish	Two Architectural Finishes (satin brushed and mirror polished)
Glass thickness	<b>1/4" to 1-3/4 (6 to 19 mm)</b> Glass Thickness
Round Tube	For 1-1/2" to 2" (38.1 to 50.8 mm) Diameter Hand Rail Tubing
Square Tube	For 1.6" and 2" (40*40/50*50mm) handrail tubing
MOQ	5 sets
Shipping method	By express(DHL,UPS and FedEx)

Product show



1.brushed finish glass to top handrail bracket



2.mirror finish glass to top handrail bracket



3.project pics









4.other simple design for your choices

[china glass handrail bracket for stair,china factory glass to top rail bracket for stair](#)



right angle wall mounted handrail bracket



wall mounted handrail bracket  
round handrail bracket, wall handrail bracket





Shenzhen Launch Co.,Ltd specializes in handrail fittings including glass clips,handrail brackets and end caps for many years. This is Susie<sup>x</sup>. Welcome to contact me.