

Product Specs.

Product name	180 degree glass to glass clamp
Material	Stainless steel 316 or 304
Surface finish	Satin brushed, mirror polished, matt black, etc.
For glass thickness	10-12mm, other customized glass are available
Mounted	Glass to glass
Railing types	Mostly used for frameless glass railing
Application	Swimming pool fencing, balcony glass railing, etc.

Product Show

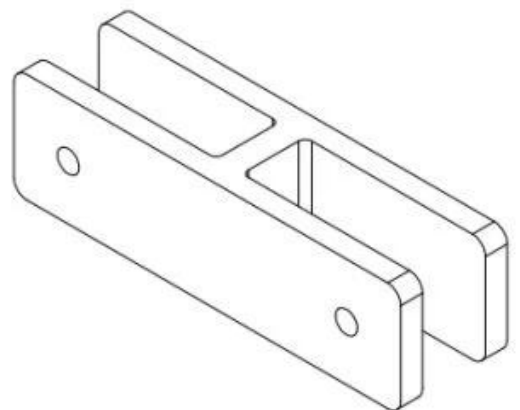
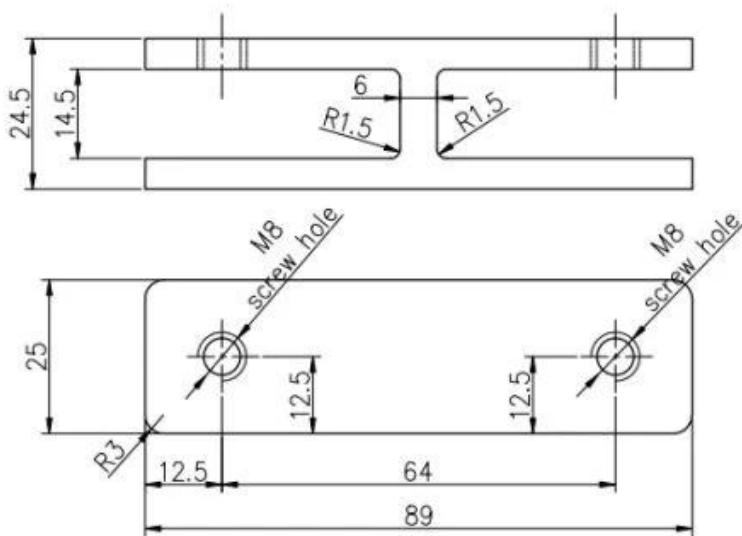




Small M8 screws with plastic end for the glass clamp



Technical drawing



Glass TO GLASS HOLDER 180°

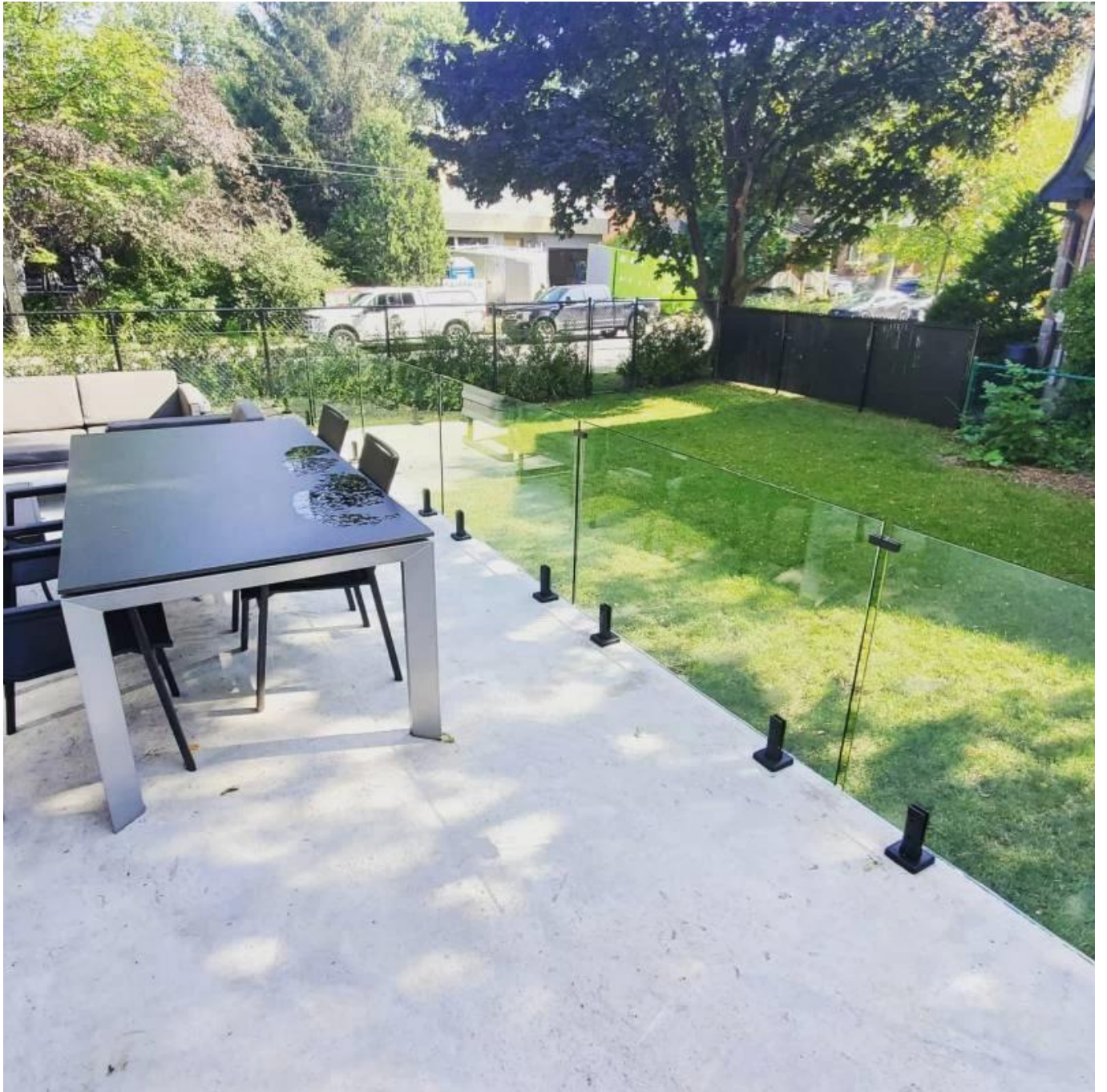
Mass Production



Application photo







Other types of glas clamps





G102



G103/G104



G105



G108R



PV-90



CB-180



BC-60



BC-80x35



CB-90

Mass production



Project photo



If you have any inquiries for them, please feel free to contact me.

Frank Fang

Email: sales02@launch-china.cn

Phone/WhatsApp/Wechat: [+8615906261741](tel:+8615906261741)