

**Product Specs.**

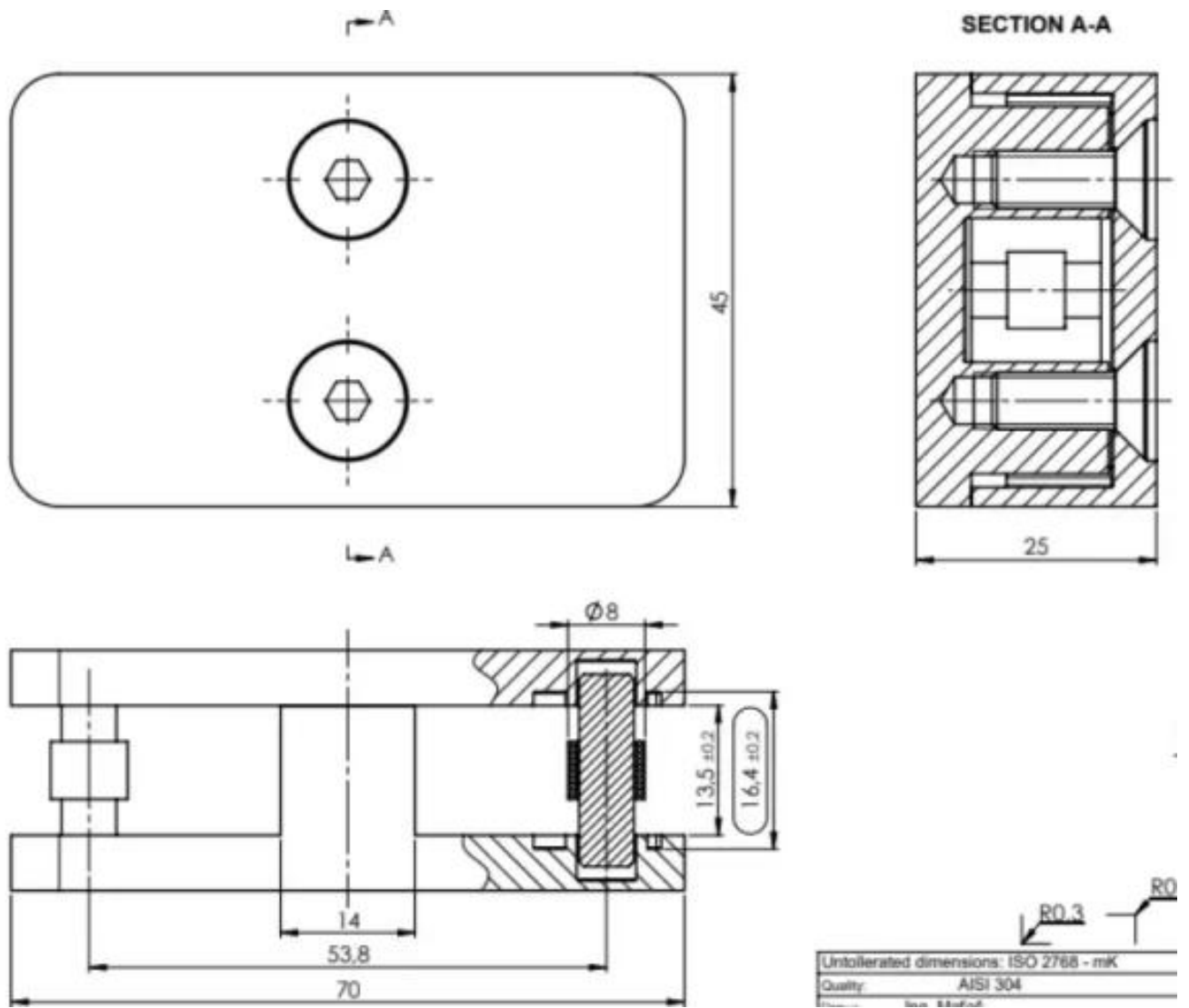
|                     |  |
|---------------------|--|
| Product name        | 180 degree glass to glass clamp                    |
| Material            | Stainless steel 316 or 304                         |
| Surface finish      | Satin brushed, mirror polished, matt black, etc.   |
| For glass thickness | 10-12mm, other customized glass are available      |
| Mounted             | Glass to glass                                     |
| Railing types       | Mostly used for frameless glass railing            |
| Application         | Swimming pool fencing, balcony glass railing, etc. |

**Product Show**





**Technical drawing**



### Mass Production



### Application photo

















**Other types of glas clamps**



If you have any inquiries for them, please feel free to contact me.

**Frank Fang**

**Email: [sales02@launch-china.cn](mailto:sales02@launch-china.cn)**

**Phone/WhatsApp/Wechat: +8615906261741**