

Launch China is manufacturer for glass railing, cable railing, aluminum railing products for more than 16 years. So our tube connector are used to connect the handrail when it's not long enough, or connect in corner, end sides, etc. Below are some types of our square tube connector, with drawing attached. Should you have any needs, please feel free to contact us.

Product show

2-way tube connector for 40mm and 50mm square tube

Model No.: S401



3 way tube connector for 30mm, 40mm, 50mm square tube

Model No.: S402, S403



S402



S403

4 way tube connector for 30mm, 40mm, 50mm square tube

Model No.: S404, S405

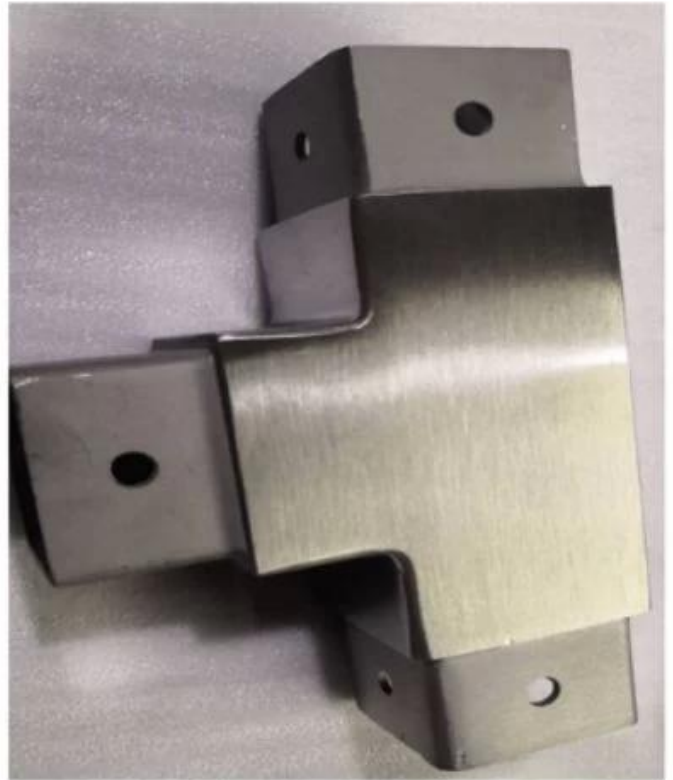


S404

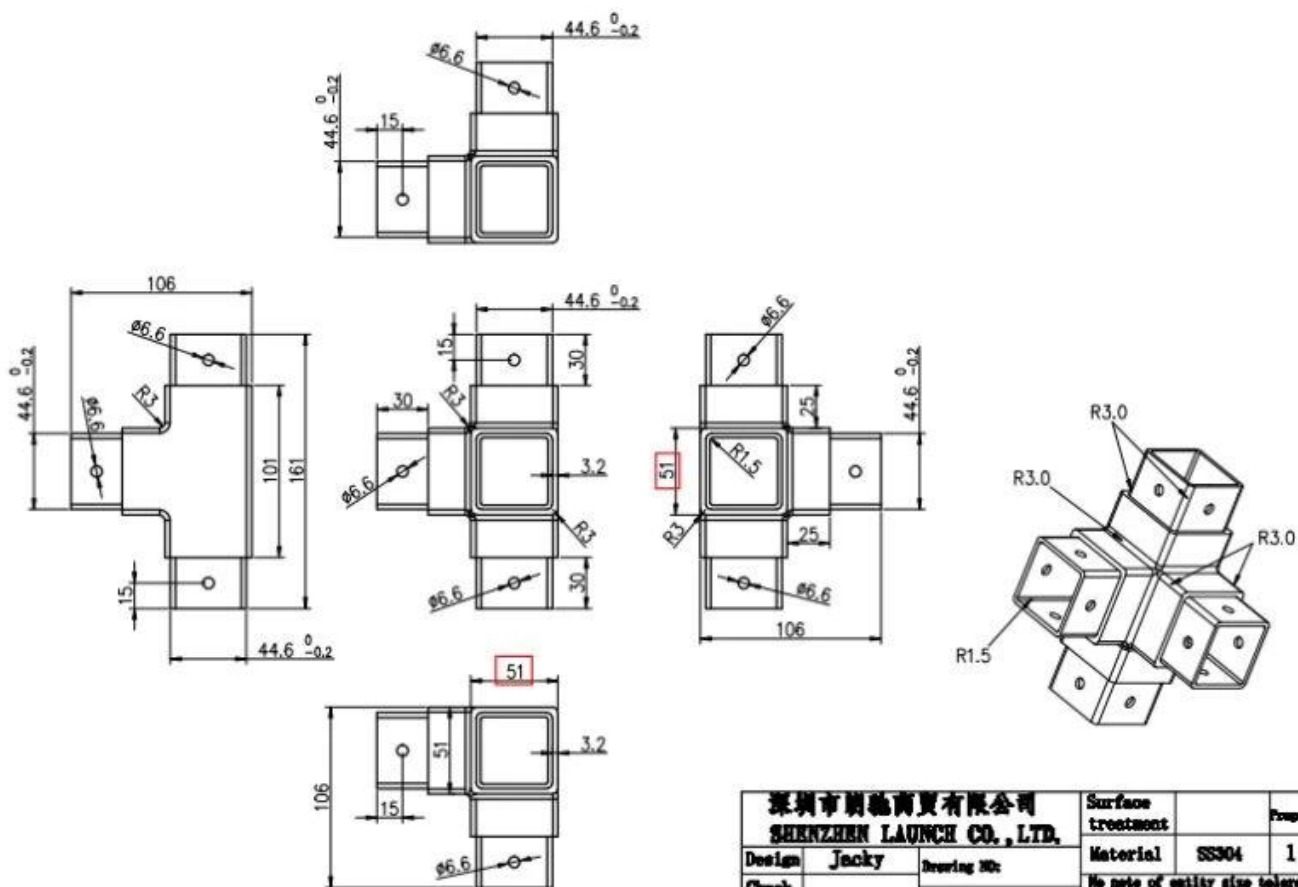
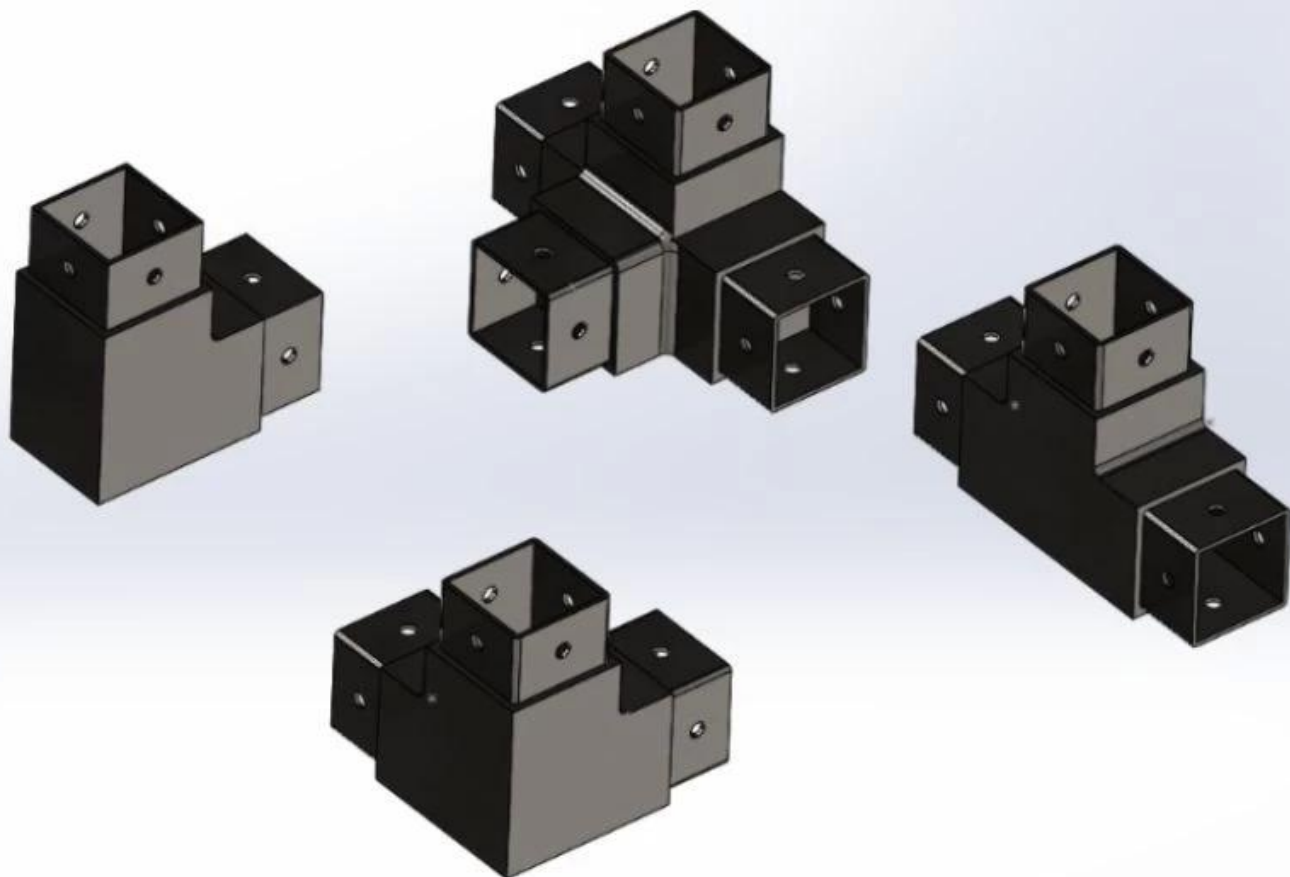


S405

Square tube connector for 51*51*3.2mm, 2"*2"*0.125" tube with screw holes



Technical drawing



			深圳市朗驰商贸有限公司 SHENZHEN LAUNCH CO., LTD.		Surface treatment		Page
Design	Jacky	Drawing NO:		Material	SS304	1:	
Check		Name:		No note of entity size tolerance			
Craft				Linear tolerance	X ±0.1		
Audit				XXX ±0.1			
Approve				Angle	X ±1°		
				tolerance	XX ±0.5°		
Quantity	Total	Page		Revision	Y002		

Other types tube connector are also available

Square tube connectors



S401



S402



S403



S404



S405

2-way tube connector



For tube dimensions	Model
40×20×1.5(mm)	S400
40×40×1.5(mm)	S401
50×50×1.5(mm)	S501
51×51×3.2(mm)	S511

3-way tube connector



For tube dimensions	Model
40×40×1.5(mm)	S402
51×51×3.2(mm)	S512

3-way tube connector



For tube dimensions	Model
30×30×1.5(mm)	S303
40×40×1.5(mm)	S403
50×50×2.0(mm)	S503
51×51×3.2(mm)	S513

4-way tube connector



For tube dimensions	Model
40×40×1.5(mm)	S404
50×50×2.0(mm)	S504
51×51×3.2(mm)	S514

4-way tube connector



For tube dimensions	Model
40×40×1.5(mm)	S405

Round tube connectors





Part No.	For tube size	Material	Finish
▪ E301	▪ Φ 42.4mm ▪ Φ 50.8mm	▪ AISI 304 ▪ AISI 316	▪ Satin ▪ Mirror



Part No.	For tube size	Material	Finish
▪ E302	▪ Φ 42.4mm ▪ Φ 50.8mm	▪ AISI 304 ▪ AISI 316	▪ Satin ▪ Mirror



Part No.	For tube size	Material	Finish
▪ E303	▪ Φ 42.4mm ▪ Φ 50.8mm	▪ AISI 304 ▪ AISI 316	▪ Satin ▪ Mirror



Part No.	For tube size	Material	Finish
▪ E304	▪ Φ 42.4mm ▪ Φ 50.8mm	▪ AISI 304 ▪ AISI 316	▪ Satin ▪ Mirror



Part No.	For tube size	Material	Finish
▪ E305	▪ Φ 12mm ▪ Φ 20mm	▪ AISI 304 ▪ AISI 316	▪ Satin ▪ Mirror



Part No.	For tube size	Material	Finish
▪ E306	▪ Φ 50.8mm	▪ AISI 304 ▪ AISI 316	▪ Satin ▪ Mirror



Part No.	For tube size	Material	Finish
▪ E307	▪ Φ 43	▪ AISI 304 ▪ AISI 316	▪ Satin ▪ Mirror



Part No.	For tube size	Material	Finish
▪ B502	▪ Φ 12mm	▪ AISI 304 ▪ AISI 316	▪ Satin ▪ Mirror

Project picture



Should you have any inquiries, please feel free to contact us.

Frank Fang

Email: sales02@launch-china.cn

Phone/WhatsApp/Wechat: +8615906261741