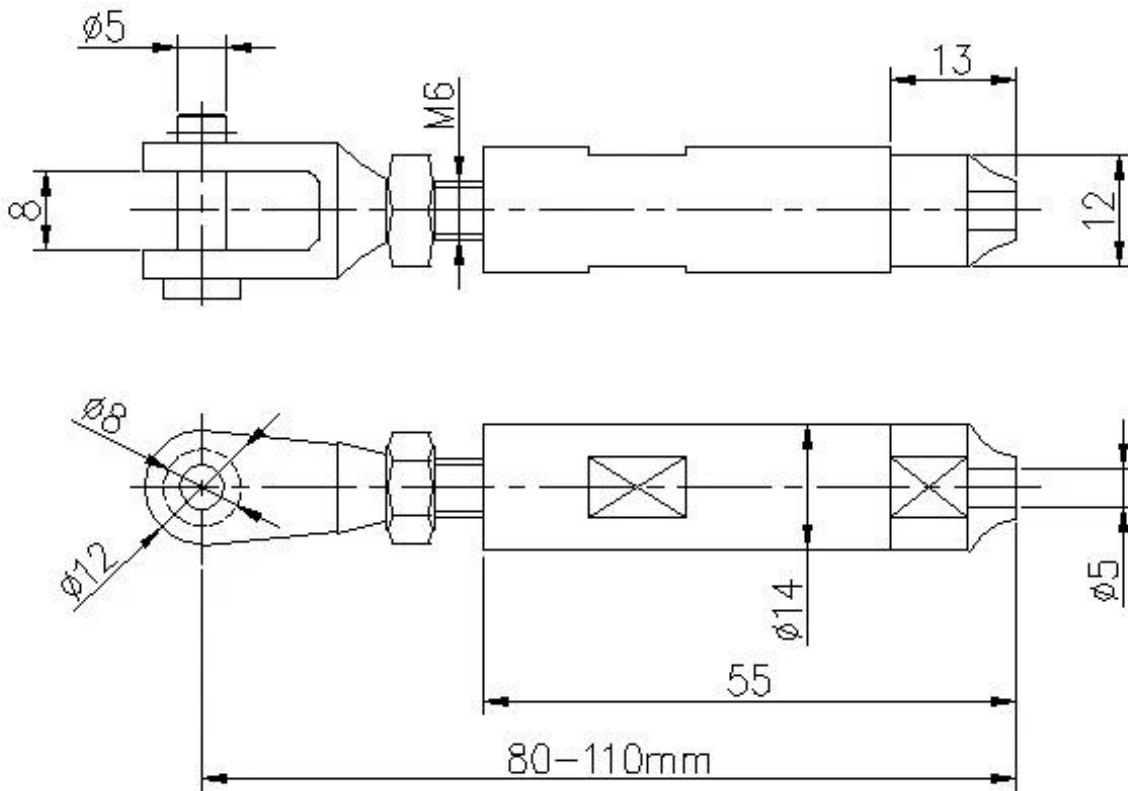


Stainless steel Handrail Fitting Adjustable Cable Tensioner  
model T803 swageless type for 4mm 5mm 6mm diameter cables applied on cable wire railing systems .

1). Features of Stainless steel Handrail Fitting Adjustable Cable Tensioner-

1. Model T803
2. For 4mm 5mm 6mm cables
3. swageless type , no need crimper
4. 304/ 316 SS
5. 1 set = 1 piece with normal thread ; the other pc with reverse thread





Complete set of T803 fittings , swageless type ; cable is tightened by screwing the tensioner body , no need hydraulic crimper-



2). How to install T803 Cable Tensioner ?

### T803 cable fitting , installation instructions

Type 1: without hydraulic crimper



Type 2: with hydraulic crimper



Mount to steel or concrete



Wood screws , for wood mount

Hydraulic crimper



Model No.: T804

for cable diameter: 4mm-6mm

3). Steel & wood mount Stainless steel Handrail Fitting Adjustable Cable Tensioner-

T803 steel /wall mount -

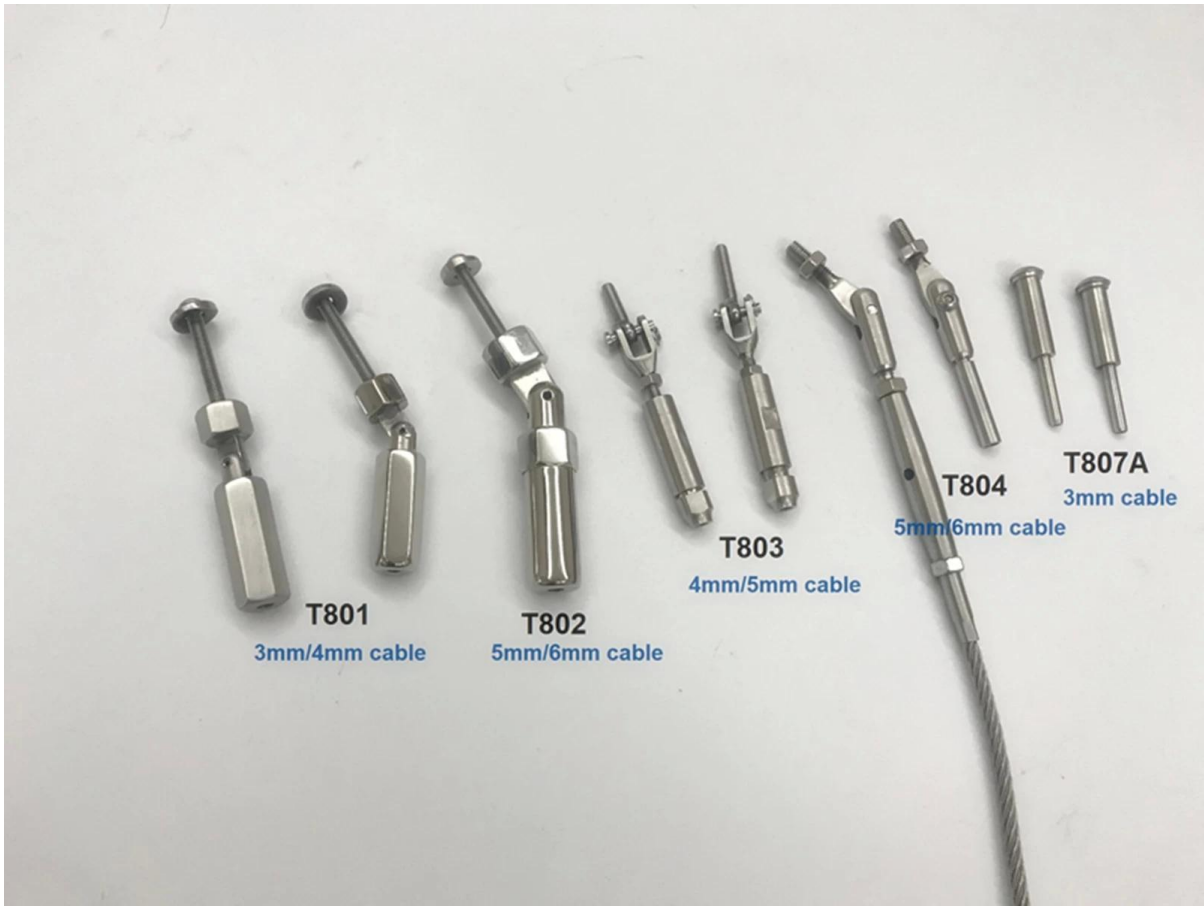


**T803**

T803 wood mount -

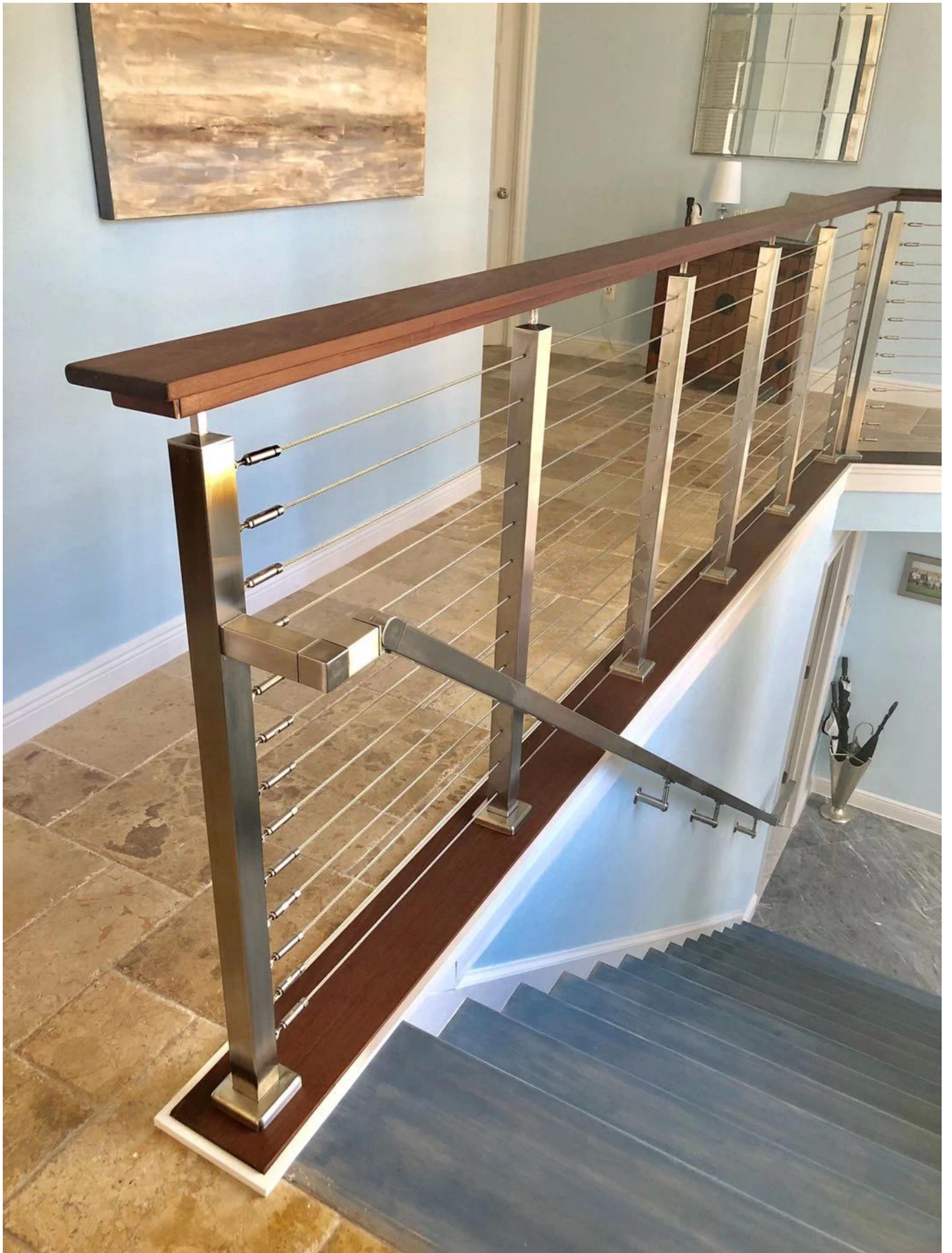


More types of adjustable cable tensioners -



PROJECT SHOW











Any inquiry or further questions, welcome to contact me directly for details.

Wendy: [sales01@launch-china.cn](mailto:sales01@launch-china.cn)

Mobile/Wechat/WhatsApp: +86 13590273543