

Product Specs.

| | |
|---------------------|--|
| Product name | 90 degree glass to glass glass clamps |
| Material | Stainless steel 316 or 304 |
| Surface finish | Satin brushed, mirror polished, matte black, etc. |
| For glass thickness | 10-12mm, other customized glass are available |
| Mounted | Glass to glass |
| Railing types | Mostly used for frameless glass railing |
| Application | Swimming pool fencing, balcony glass railing, etc. |

Product Show

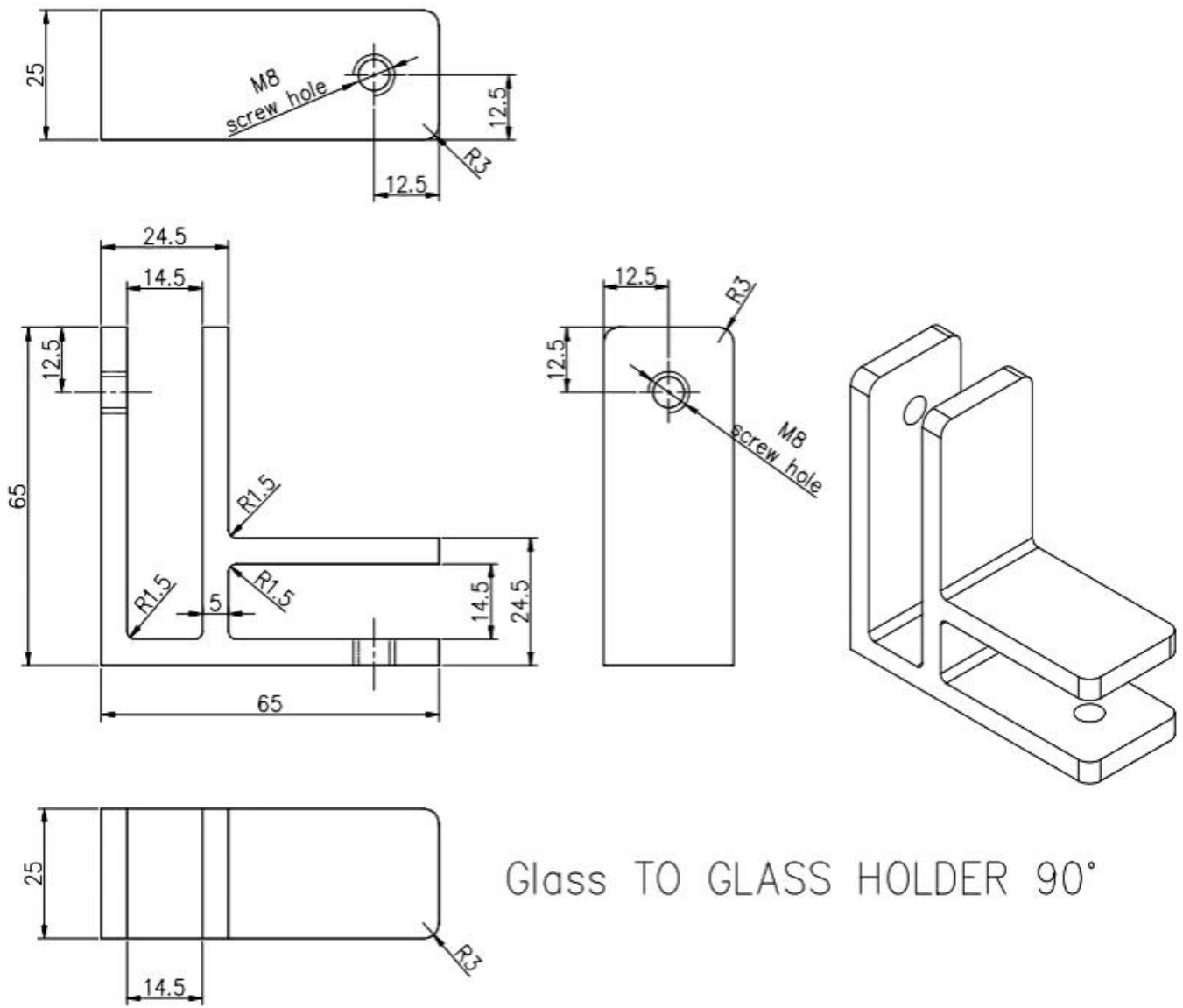




Small M8 screws with plastic end for the glass clamp



Technical drawing



Glass TO GLASS HOLDER 90°

Mass production



Other types of glas clamps



G102



G103/G104



G105



G108R



PV-90



CB-180



BC-60



BC-80x35



CB-90

Mass production



Project photo



If you have any inquiries for them, please feel free to contact me.

Frank Fang

Email: sales02@launch-china.cn

Phone/WhatsApp/Wechat: [+8615906261741](tel:+8615906261741)