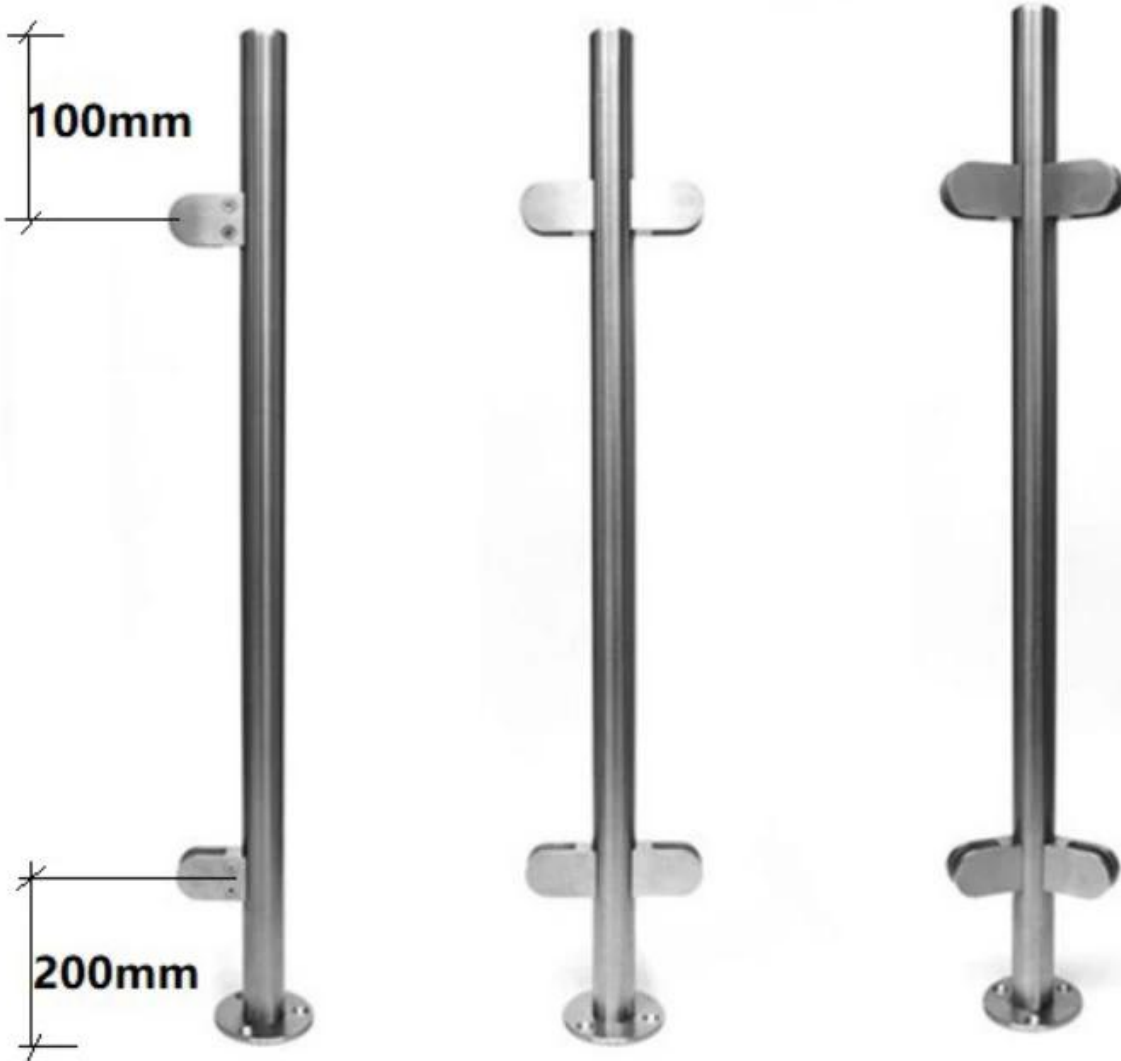


## Product Specs.

Product name	Stainless steel glass balustrade post
Material	304SS/316SS/316LSS
Surface finish	Mirror polished, satin brushed, matt black, wooden effect
Round post & Handrail	Diameter 42.4/50.8mm x 1.5mm wall thickness
Glass thickness	10/12mm
Application	Stair railing, balcony railing, deck railing for office building, villa, supermarket, etc.

## Base Mounted Round Stainless Steel Glass Balustrade Post :

**KEBIL** 科比奥®





1-way post



2-way 180° post



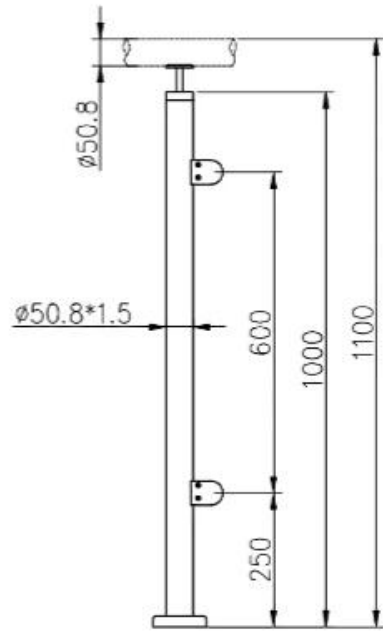
2-way 90° post

**Wooden effect**

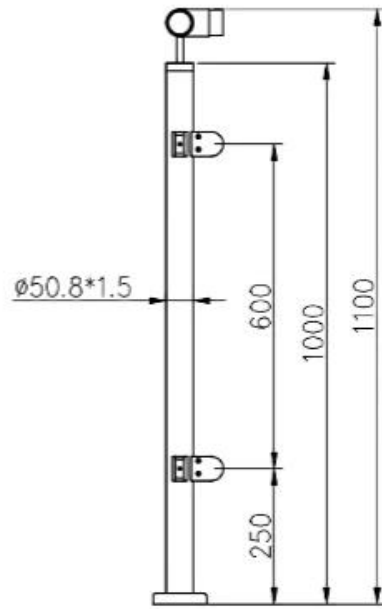


**Post drawing for reference:**

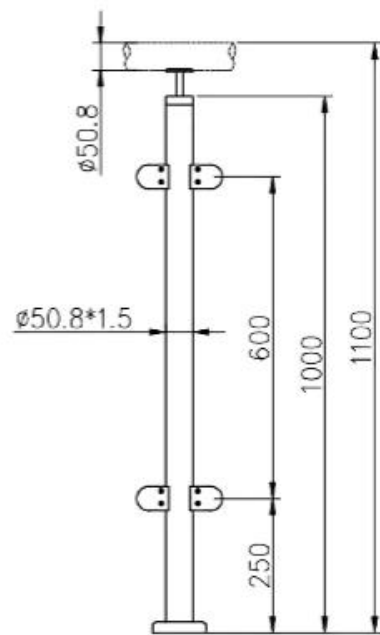
KEBIL 科比奥®



KEBIL 科比奥®



KEBIL 科比奥®



**1). Base Mounted Round post & handrail glass railing design:**

**KEBIL** 科比奥®



**2). Side Mounted Round post & handrail glass railing design :**

**KEBIL** 科比奥®



Installation

## Glass Clamp Installation Guide



Mark and centre punch desired location of blind rivet nut location.



Drill centre punched hole in tube to suit blind rivet nut.



Insert blind rivet nut into tube and fasten with blind rivet tool.



Check installed blind rivet nut is secure and ready for install.



Align half glass clamp with blind rivet nut inline position. Screw in button head cap screw into thread and tighten with hex key.



Select appropriate rubber gasket to suit glass panel thickness. Install rubber gasket into both sides of glass clamp. (Note rubber gasket marked with sizes).



If heavier clamping load is required please use supplied glass clamp pin, during the install process. Note glass panels will require drilling in order to fit glass clamp pins.



Fit glass panel into position, install second half of glass clamp secure with provided hex screws.



Tighten glass clamps with hex key, and check glass panel are secure with no movement.

**Mass Production**







Packing photo

Each post with plastic bag, one cardboard box. Or as customer's requirements





Project photo







Should you have any project that need them, please feel free to contact me.

Frank Fang

Email: [sales02@launch-china.cn](mailto:sales02@launch-china.cn)

Phone/WhatsApp/Wechat: +8615906261741