

## **Glass hinge used for swimming pool fencing gate with magnetic glass latch**



### **Product show**

Two flat ends glass to glass hinge. Flat ends are safety design, prevent the children from scratching by pointed ends when playing around the pool gate.

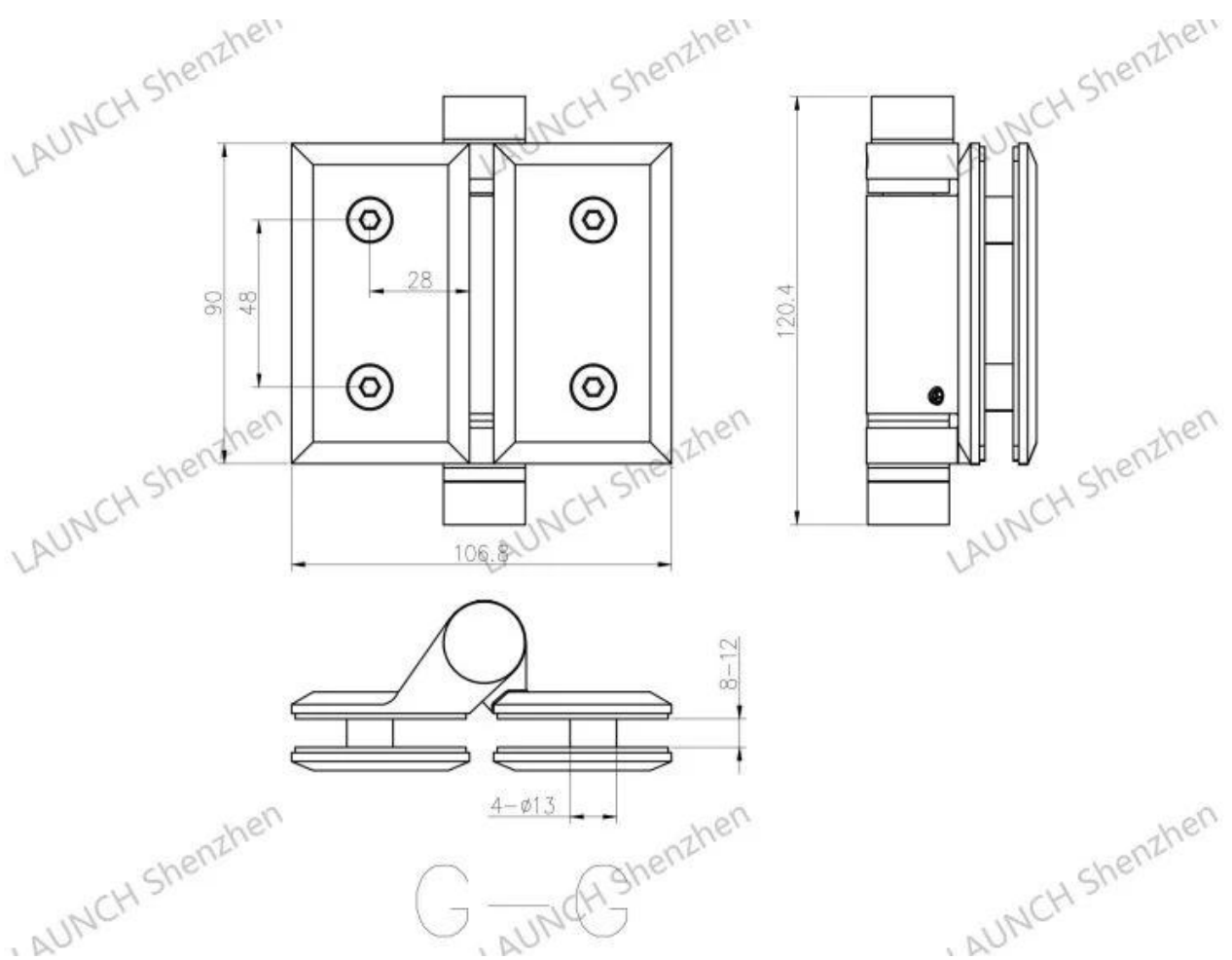
**KEBIL** 科比奥®







### Technical drawing



### Mass production and packing









### Other types of glass hinge

Glass to glass, glass to flat, glass to round. In different dimensions.







**G-W 1**



**G-R 1**



**G-G 1**



**G-W 2**



**G-R 2**



**G-G 2**

**Matched magnetic glass latch for one pool gate**

**Part in plastic, key is available**





180° glass to glass latch



90° glass to glass latch



glass to wall latch



135° glass to glass latch

**All in stainless steel material, no key**



glass to glass latch 90°  
GL-90



glass to glass latch 180°  
GL-180



glass to wall/square post latch  
GL-W



glass to round post  
GL-P

**Project photo**







**If you are interested in them, please feel free to contact me.**

**Frank Fang      [sales02@launch-china.cn](mailto:sales02@launch-china.cn)**

**Phone/WhatsApp/Wechat: +8615906261741**