

Material: Stainless steel 316

Finish: Brushed or Mirror polished.

For glass thickness: 10-13.52mm.

Dimension: 168mm height +dia 100mm dress cover

Accessories: cover,screws,rubber gaskets

Usage:2 spigots support 1 glass panel

### **Glass spigot model No.SCM-2**

SCM

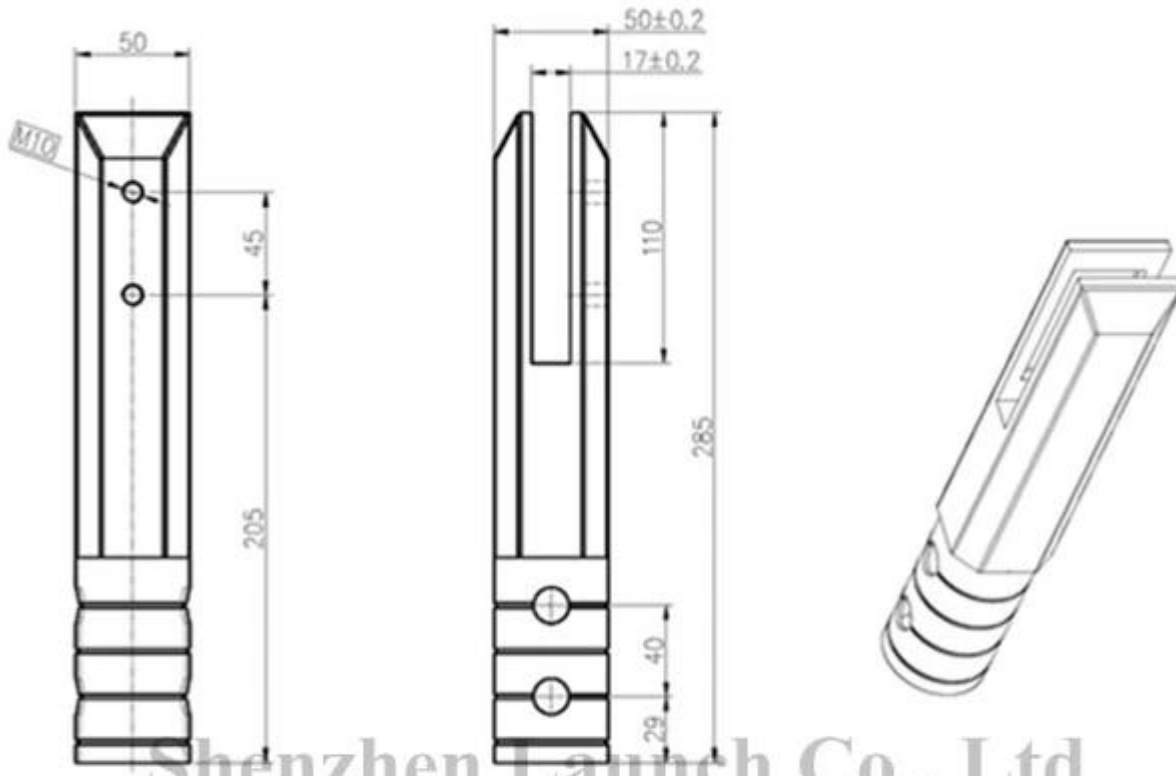


**Mirror**

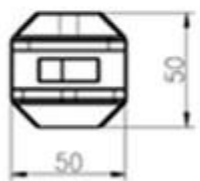


**Satin**

Project name



Shenzhen Launch Co., Ltd



数量	共页	第页
----	----	----

<b>深圳市朝福商贸有限公司</b> <b>SHENZHEN LAUNCH CO., LTD.</b>		表面处理
设计	裴佳辉	材料
校对	图号:SCM	未
工艺	名称:Spigot	线性公差
审核	版次	角度公差
批准	Y001	

**Glass spigot model No.RCM-2:**

RCM



**Mirror**



**Satin**



### **Packing & Delivery:**

Packing Details :

1. Each spigot is wrapped with plastic film and air bag, and then put in a carton.
2. 100 spigots are packed in one bog plywood case.
3. Also can be packed as clients' requirements.

Delivery Details : 10-15 workdays after payment.

Shipping:

via DHL, UPS, FEDEX etc. for small quantity; by sea for big quantity

### **Packing pictures:**

51\*51\*287







### **Services:**

1. Sample service
2. Custom service (OEM or ODM)
3. After-sale service
4. Drawing available
5. Stocks available
6. Installation instruction service
7. Fast feedback
8. Timely responding
9. manufacturer's warranty

Any further question please contact me freely.

E-mail: [sales06@launch-china.cn](mailto:sales06@launch-china.cn)

Ph: 86-755-86037559

Fax: 86-755-86372611 (Daytime:9:00 -- 18:00)

Mob./whatsapp/wechat/facebook: +8615917478656

[www.launch-china.com](http://www.launch-china.com)

[www.chinabalustrade.com](http://www.chinabalustrade.com)