

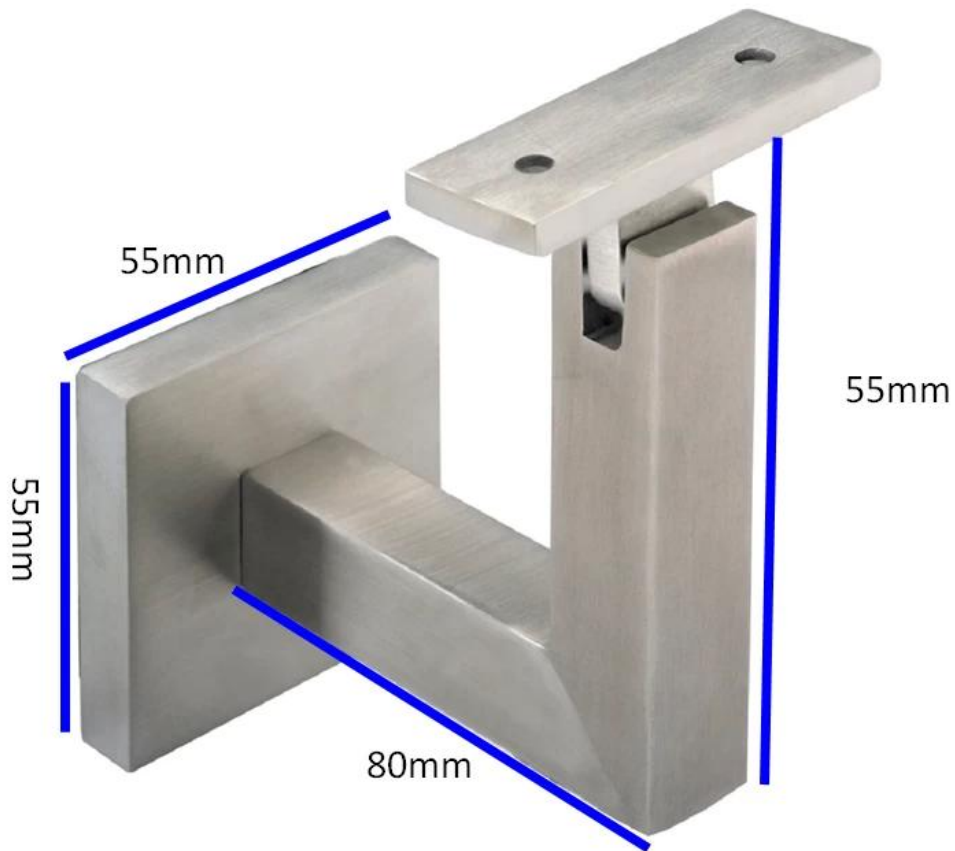
1. Description

--Stainless steel 304/316 handrail bracket holder for glass railing system

--Finish: mirror or satin

--Different size is available (Please send us drawing and qty to help us quote)

2. Product picture



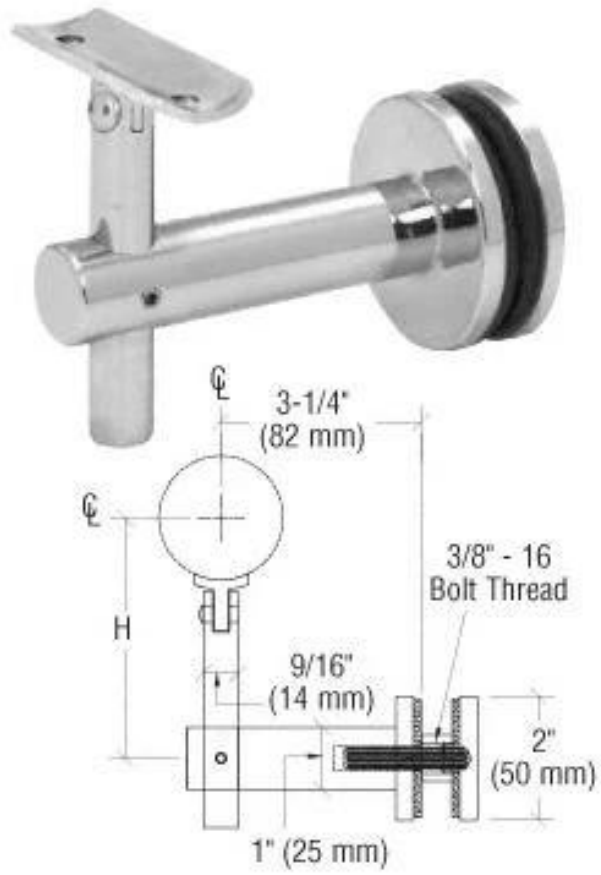


Adjustable handrail brackets



Drawings





3.Details

















4.Delivery & Packing

--Delivery: 3-5 days by express. 10-15 days by shipping

--Packing: one pc into one plastic bag, then into one box.

--Lead time: about 20 days after payment. (It depend on quantity)



packing	plastic bag+box+carton
production lead time	30-45 days ; also depending on your qty.
Shipment	 
	 
	 
payment	 

5.Associated Products

[Square tube connector](#)

5. Factory & Certification





6. Customers





**build &
renovating
expo**

Friday 4 July - Sunday 6 July 2014
Melbourne Exhibition Centre



7.Contact

KEBIL 科比奥®

深圳市朗驰商贸有限公司
SHENZHEN LAUNCH CO., LTD.

朗驰国际有限公司
LAUNCH INTERNATIONAL LIMITED.

董 萍 Doris Dong

Senior Sales Representative

☎ (86) 135 3050 6265

深圳市南山区南山大道1092号亿利达大厦B区3栋5003

Room 5003, Building 3, Yilida Building, No.1092
Nanshan Road, Nanshan District, Shenzhen, China
postal code 518054

☎ (86-755) 8603 7559

☎ (86-755) 8637 2611

✉ sales04@launch-china.cn

🌐 www.launch-china.com

www.chinabalustrade.com

Thank you for visiting. Please do not heasite to contact us for factory direct price and professional advises.