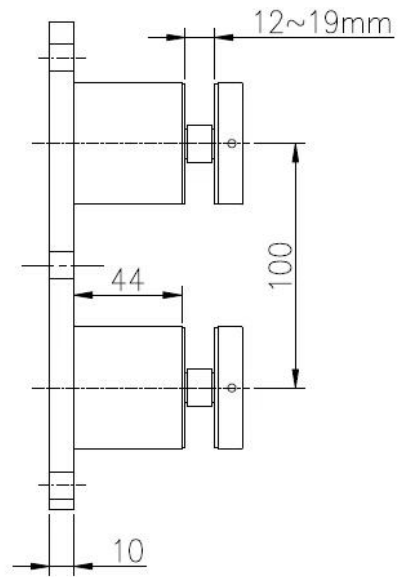
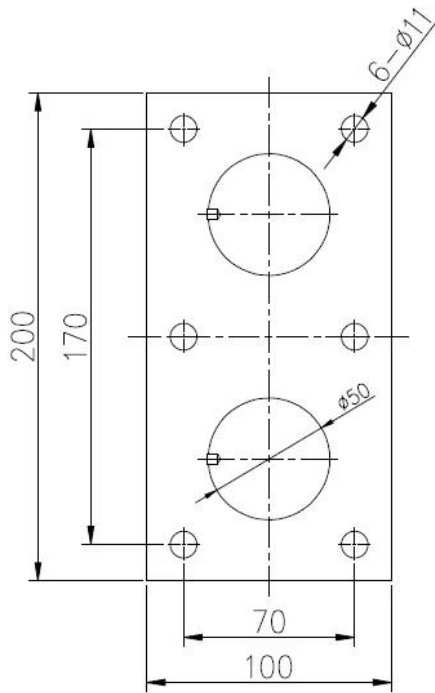


## Stainless steel twin glass standoff bracket SF-50T

brushed or polished stainless steel  
marine grade Stainless steel 316



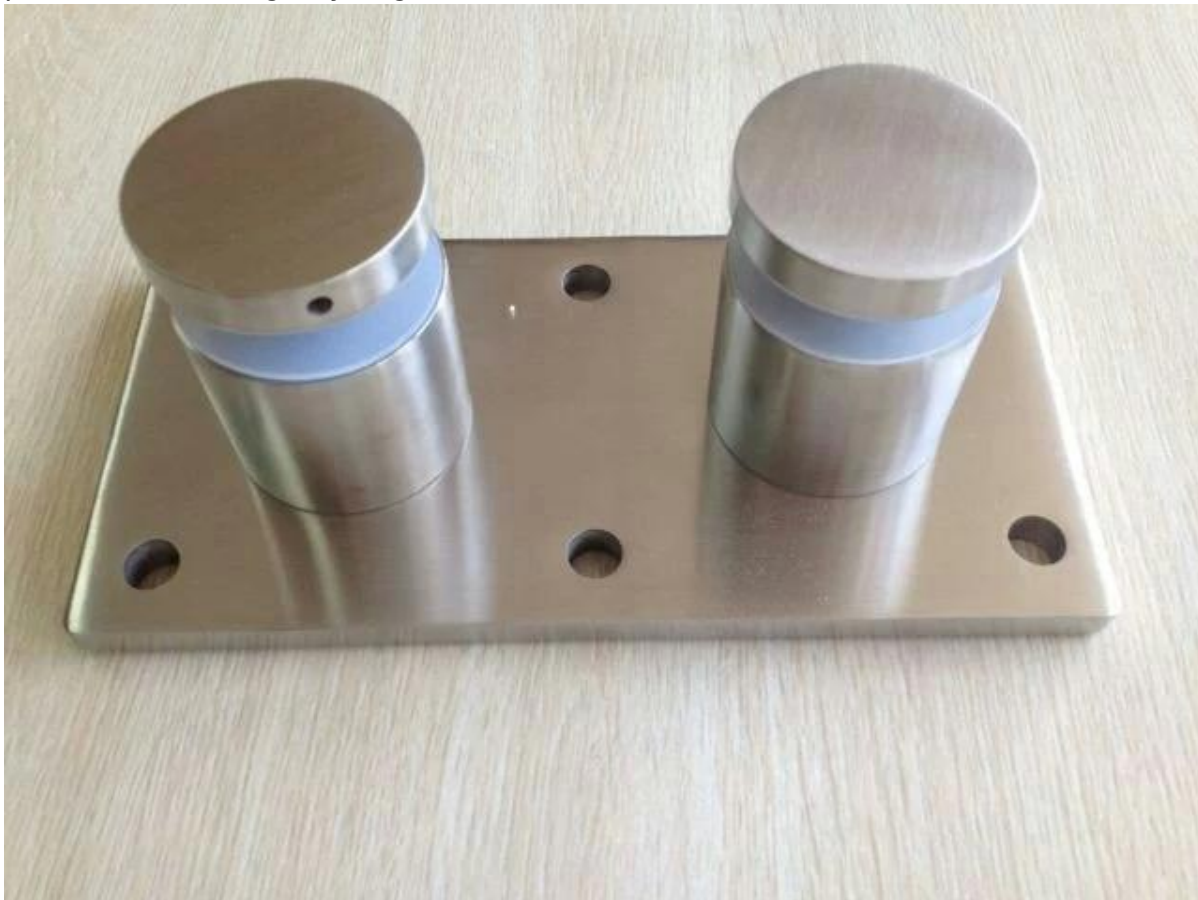
Plate size: 200x100mm, customized as per your demand;  
Plate thickness: 10mm;  
For glass thickness 10-19mm or thicker;  
Standoff part size as below:



深圳市朗馳商貿有限公司  
 SHENZHEN LAUNCH CO., LTD.

Surface treatment	Satin	Prop
-------------------	-------	------

Satin brushed with glass standoff parts, rubber gasket, glass predrilled, hole location will be provided according to you glass size;



Back view:



Project:

Installation,



Project finished;



SF-50T is used for balustrade glass from 12-19mm even bigger or thicker, especially for outdoor balcony, deck, terrace frameless glass railing design;

Please send you inquiry to [sales04@launch-china.cn](mailto:sales04@launch-china.cn)