

Glass hinge used for swimming pool fencing gate with magnetic glass latch



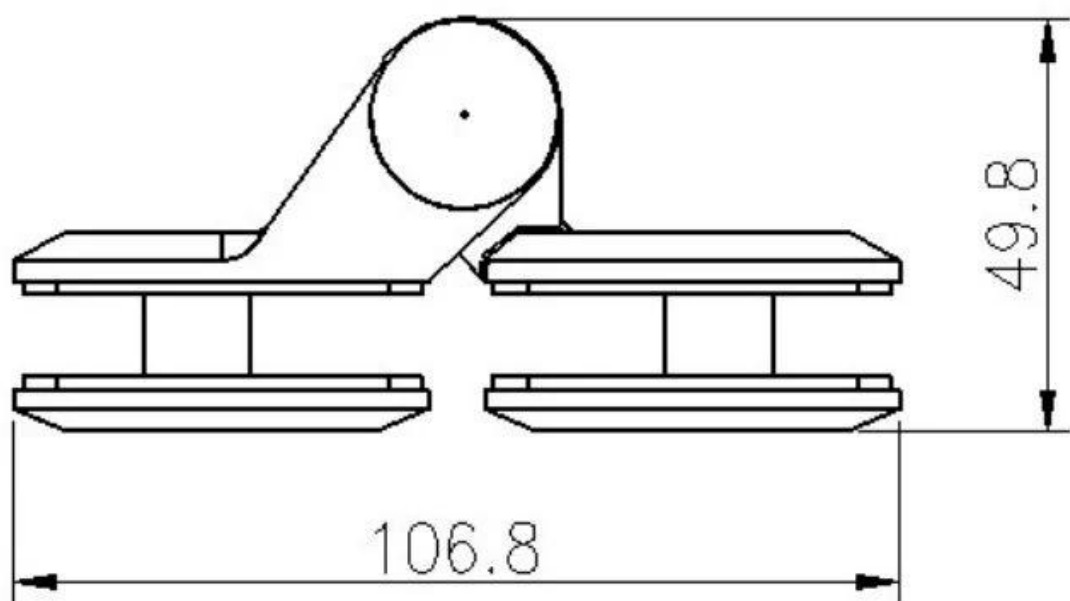
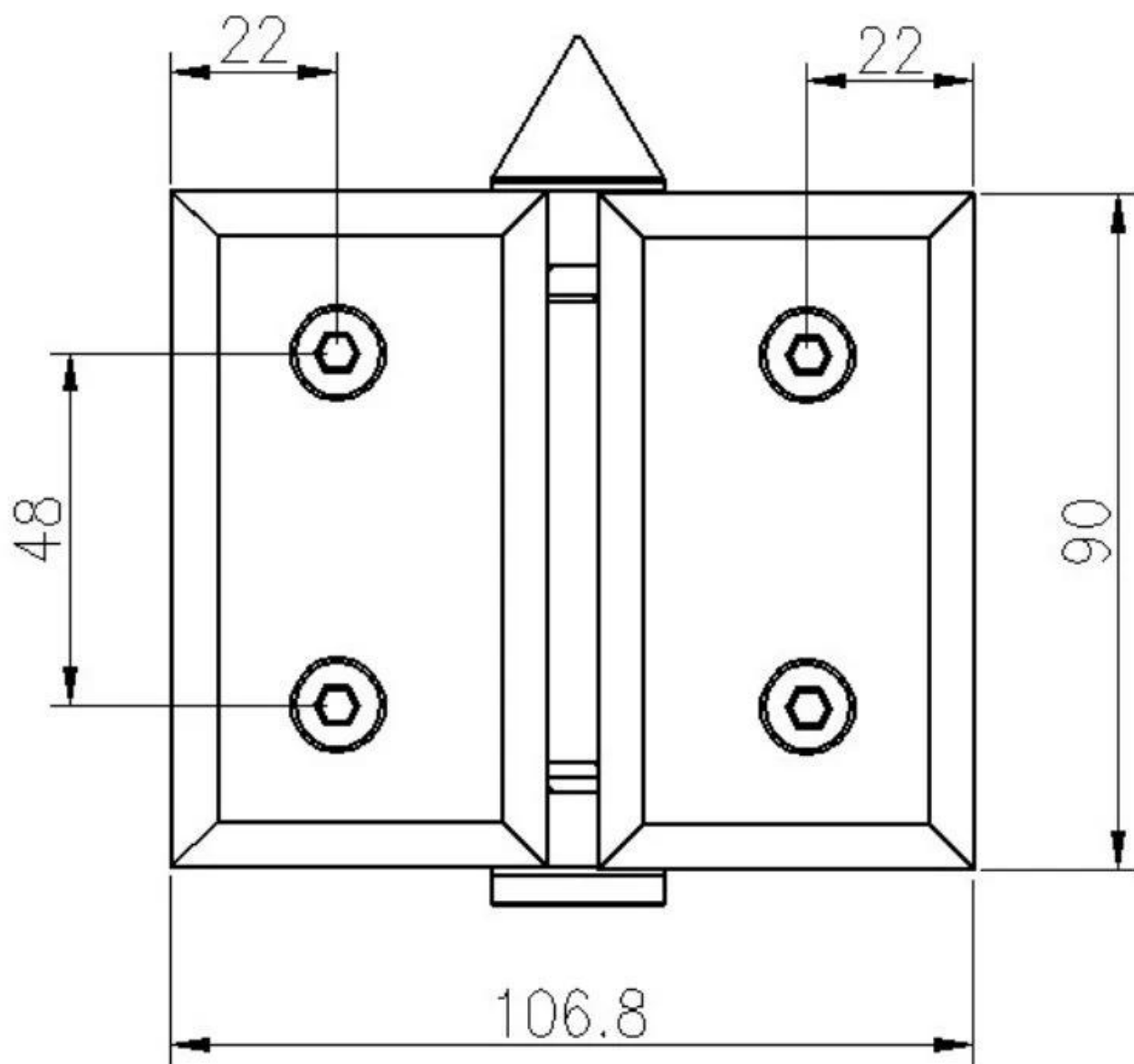
Product show

Two flat ends glass to glass hinge. Flat ends are safety design, prevent the children from scratching by pointed ends when playing around the pool gate.





Technical drawing



Mass production and packing



Other types of glass hinge

Glass to glass, glass to flat, glass to round. In different dimensions.

Glass Hinge

KEBIL 科比奥®



Glass to glass hinge



Glass to wall hinge



Glass to round post hinge



G-W 1



G-R 1



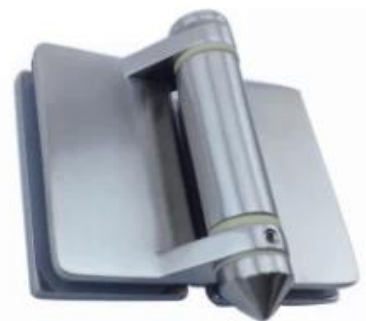
G-G 1



G-W 2



G-R 2



G-G 2

Matched magnetic glass latch for one pool gate

Part in plastic, key is available



180° glass to glass latch



90° glass to glass latch



glass to wall latch



135° glass to glass latch

All in stainless steel material, no key



glass to glass latch 90°
GL-90



glass to glass latch 180°
GL-180



glass to wall/square post latch
GL-W



glass to round post
GL-P

Project photo





If you are interested in them, please feel free to contact me.

Frank Fang sales02@launch-china.cn

Phone/WhatsApp/Wechat: +8615906261741