

## Staircase Railings Design Stainless Steel Wall Mount Outside Adjustable Glass Standoff Specifications:

Product Name	Glass standoff, Standoff glass railing, Adjustable glass standoff
Material	Stainless Steel 304/316
Other Name	glass standoff pin, standpff bolts
Finish	Mirror polished, or satin prushed
Glass standoff size	1 1/2" x 1 1/2", M12*120mm wood bolt, silicon rubber gasket included
For glass thickness	12-19mm, or as per customers' requirements
Drilled Glass Hole	Diameter 14mm required in glass
Net weight	495g/piece
Mounting	wall mounting/side mounting/fascia mounting
MOQ	10 pieces
Sample	Available
OEM & ODM service	Acceptable
Application	Indoor and outdoor staircases design,balcony railing,deck frameless glass railing, Juliet balcony design, floating staircase
Factory Inspection	Available



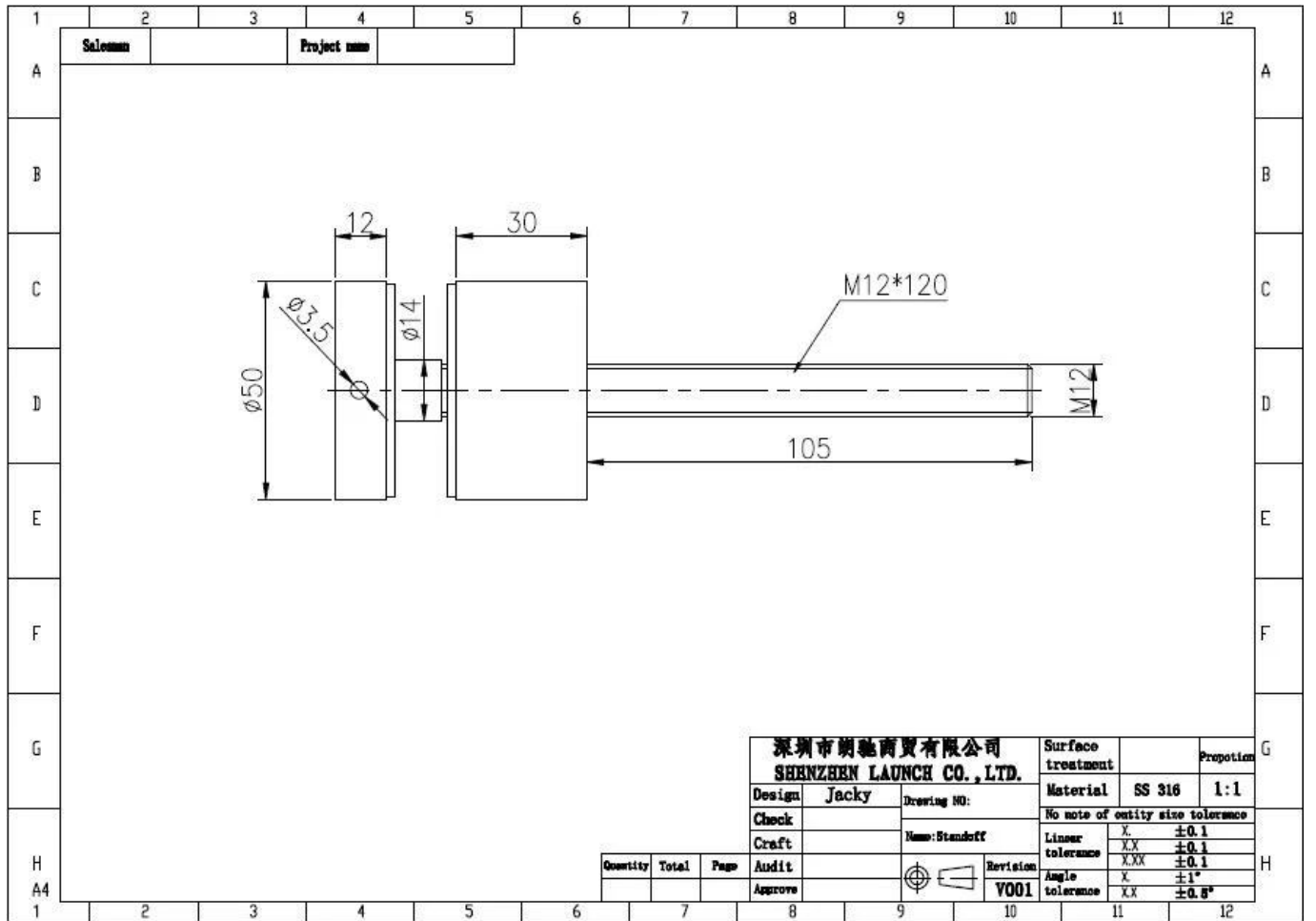
**Dia 50mm Glass Standoff/Button in Mirror Finish:**



**With wood screw for mounting to wooden substrate:**



**Technical Drawing:**

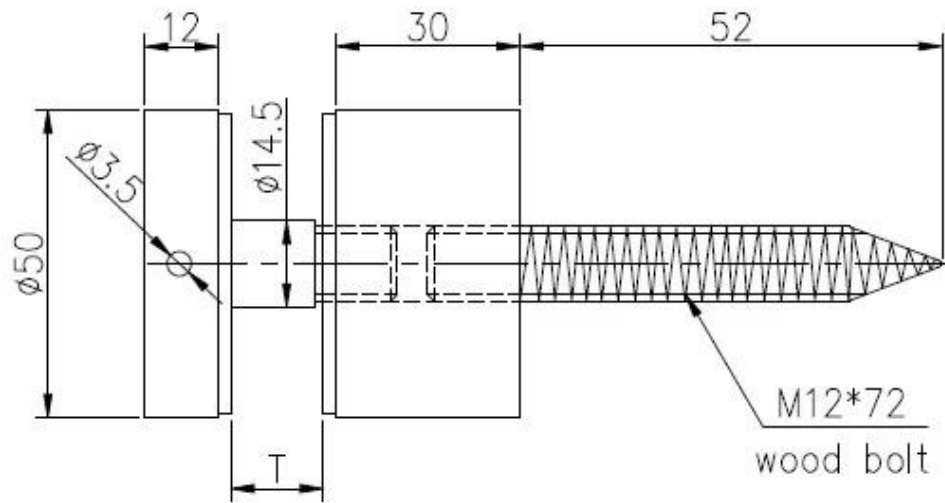


<b>深圳市朗馳商貿有限公司</b>			Surface treatment		Preparation
<b>SHENZHEN LAUNCH CO., LTD.</b>			Material	SS 316	1:1
Design	Jacky	Drawing NO:	No note of entity size tolerance		
Check		Name: Standoff	Linear tolerance	X	$\pm 0.1$
Craft			Linear tolerance	XX	$\pm 0.1$
Audit			Angle tolerance	XXX	$\pm 0.1$
Approve			Angle tolerance	X	$\pm 1^\circ$
			Angle tolerance	XX	$\pm 0.5^\circ$

Quantity	Total	Page

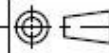


Revision  
V001



<b>深圳市朗馳商貿有限公司</b> <b>SHENZHEN LAUNCH CO., LTD.</b>			Surface treatment		Propor
Design	Jacky	Drawing NO: SF-68	Material		1:1
Check		Name: Standoff	No note of entity size tolerance		
Craft		Revision	Linear tolerance	X	±0.1
Audit			X.X		±0.1
Quantity	Total	Page	Angle tolerance	X	±1°
			X.X		±0.5°
Approve					

Quantity	Total	Page



Revision  
V001









**Project Photos:**

Glass Button Balustrade System Stainless Steel Balustrade





**Stainless steel glass standoff for frameless glass balustrade**



**stainless steel standoff, bracket for stair railing design**



Company info:

Shenzhen Launch Co., Ltd was established in 2004, located at Nanshan District, Shenzhen, and one hour by car from Hongkong International Airport. Our main product is high-grade building materials includes stainless steel balustrade post, staircase handrail, balcony guardrail, swimming pool fence and other high-grade building materials. All the products are designed strictly according to the high-end market requirements. We have our own factory in Tangxia Town, Dongguan, has a variety of precision equipment more than 50 sets: CNC lathe, milling machine, punching machine, pipe cutter, argon welder, drilling machine, polisher, etc. which can provide customers with complete product processing services. With the German SPECTRO Spectrometer, we insist on testing every batch of materials to ensure that the material is highly qualified. We also have hardness gauge, secondary element and other test equipment to ensure the products meets customers' requirements.

## ABOUT US



# OUR ADVANTAGE

Please do not hesitate to contact us if you have any requirement regarding our production lines, you can expect a timely reply with professional solutions!



Own factory, shortest lead time.



Can help customers design product drawings based on customer ideas and design engineering installation drawing according to the customer site sketch.



Sample order, trial order acceptable.



Provide material test report to ensure that the material is qualified.



13 years of industry experience, we can help customers recommend the best solution to help customers save cost.

# OUR FACTORY

More than 13 years experience in hardware industry design and processing, we can provide customized services from design to the sample and small batch trial production.







# PRODUCTION PROCESS



Casting



CNC lathe



CNC Milling



Stamping



Drilling & Tapping

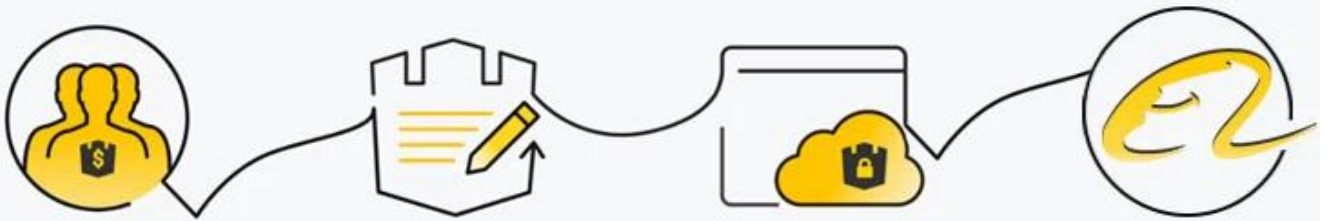


Polishing



# PAYMENT & TRANSPORTATION

Welcome Alibaba Trade Assurance Order!



- 1 Start an order
- 2 Negotiate terms with our sales service & confirm order
- 3 Make payment
- 4 Alibaba provide full assurance



Contact us now for more information!  
Email: [sales03@launch-china.cn](mailto:sales03@launch-china.cn)

**Mob: +8613686807796**