

Surface Mount Stainless Steel Adjustable Glass
Spigot for Frameless Glass Balustrades for balcony ,deck , stair etc.

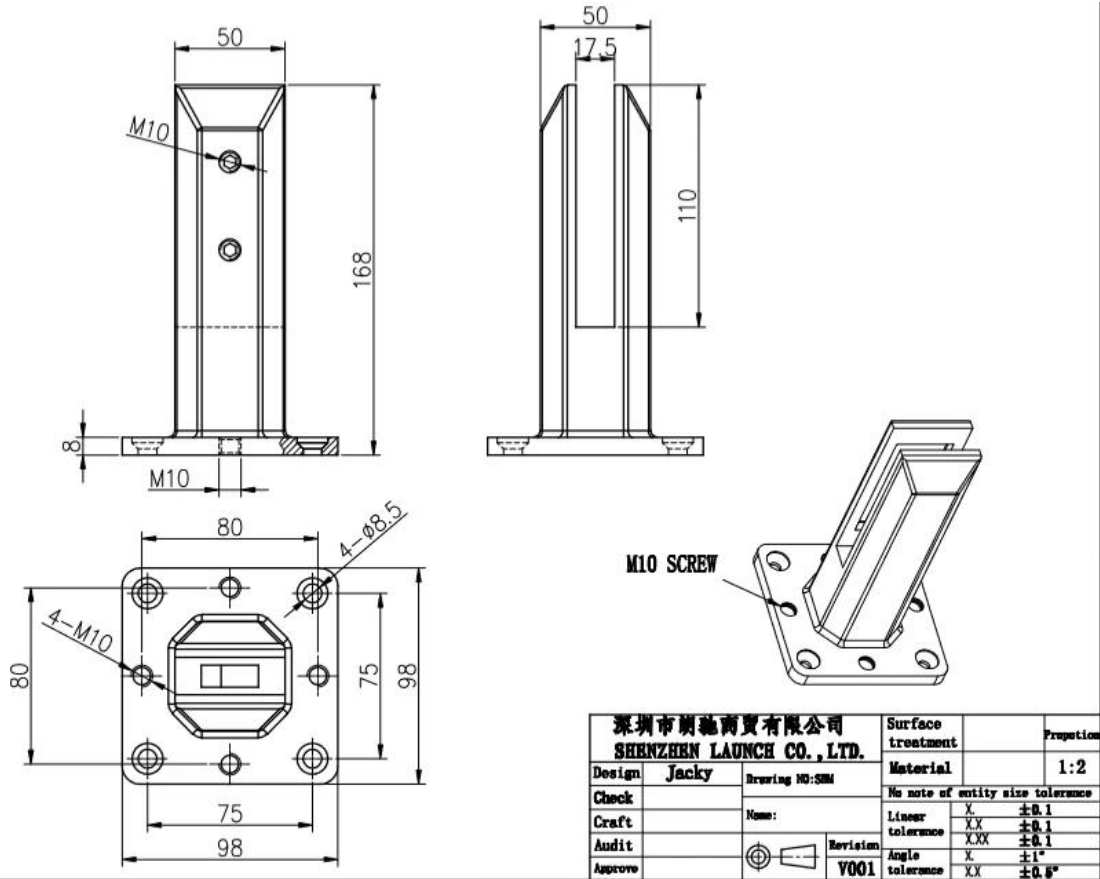
Specs. for Surface Mount Stainless Steel Adjustable Glass Spigot-

- With oval holes on the base plate
- H=168mm
- With adjustable levelling plate
- For 10-13.52mm thickness glass
- Duplex 2205
- satin brushed (mirror polished , matte black color also available)

#Photos for Surface Mount Stainless Steel Adjustable Glass Spigot -







Duplex 2205 material test report for glass spigot-



12/16/2020 5:54:18 PM

Method: Fe-30

12/16/2020 5:54:09 PM

Comment: Cr-, Cr/Ni-steel

Type corr.concentr.

Type Standard 18--8

Sample Name:

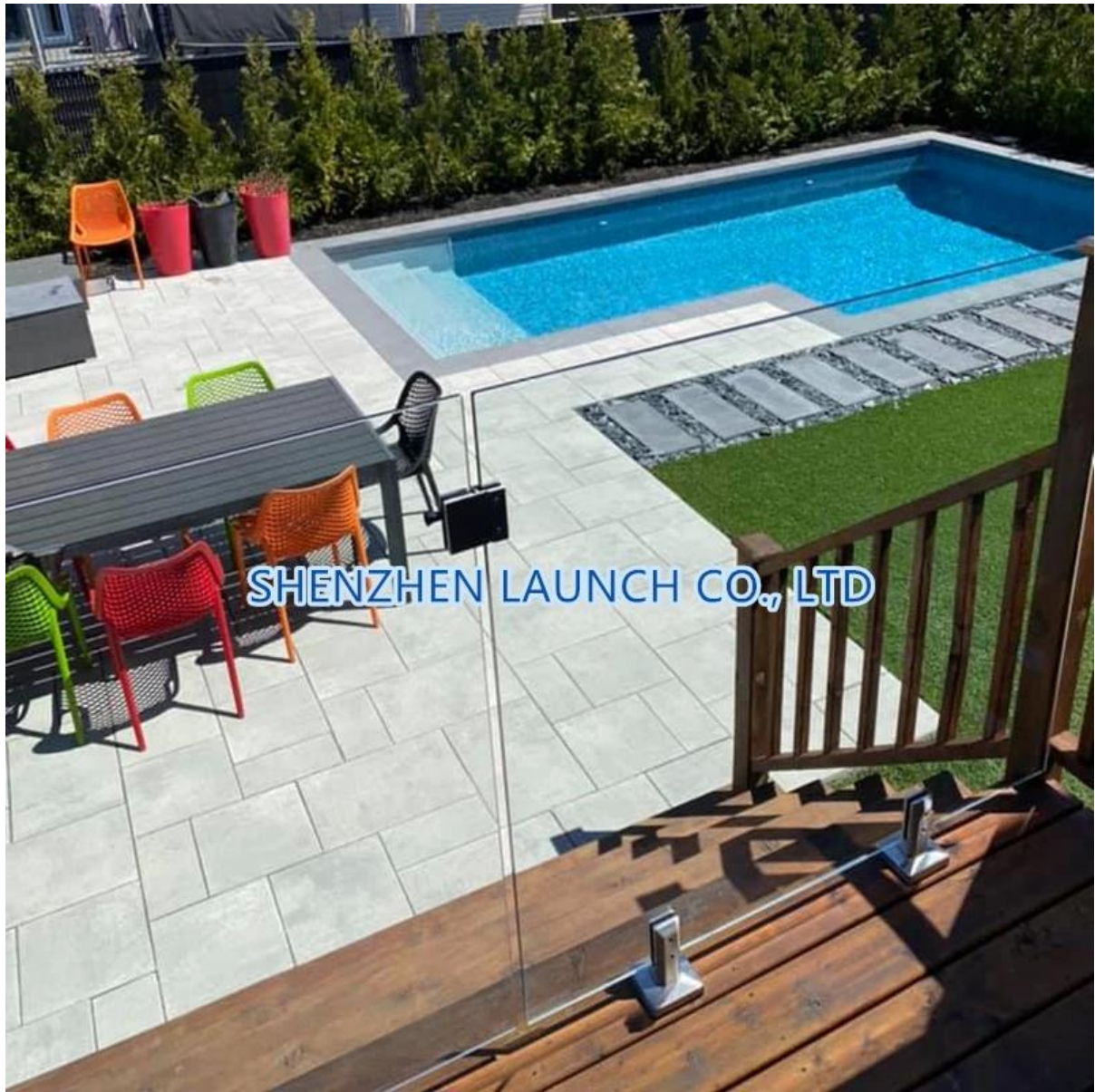
Sample ID:

	C	Si	Mn	P	S	Cr	Mo	Ni
	%	%	%	%	%	%	%	%
< x > (1)	0.0224	0.8873	1.1010	0.0263	0.0032	21.6796	3.0718	5.5691

	Al	Co	Cu	Nb	Ti	V	W	Pb
	%	%	%	%	%	%	%	%
< x > (1)	< 0.0005	0.0797	0.1603	< 0.0002	0.0044	0.0893	0.0305	< 0.0002

	Sn	Sb	B	N	Fe			
	%	%	%	%	%			
< x > (1)	0.0092	< 0.0004	0.0024	0.1024	67.1600			

#Project photos of Surface Mount Stainless Steel Adjustable Glass Spigot-



SHENZHEN LAUNCH CO., LTD



