

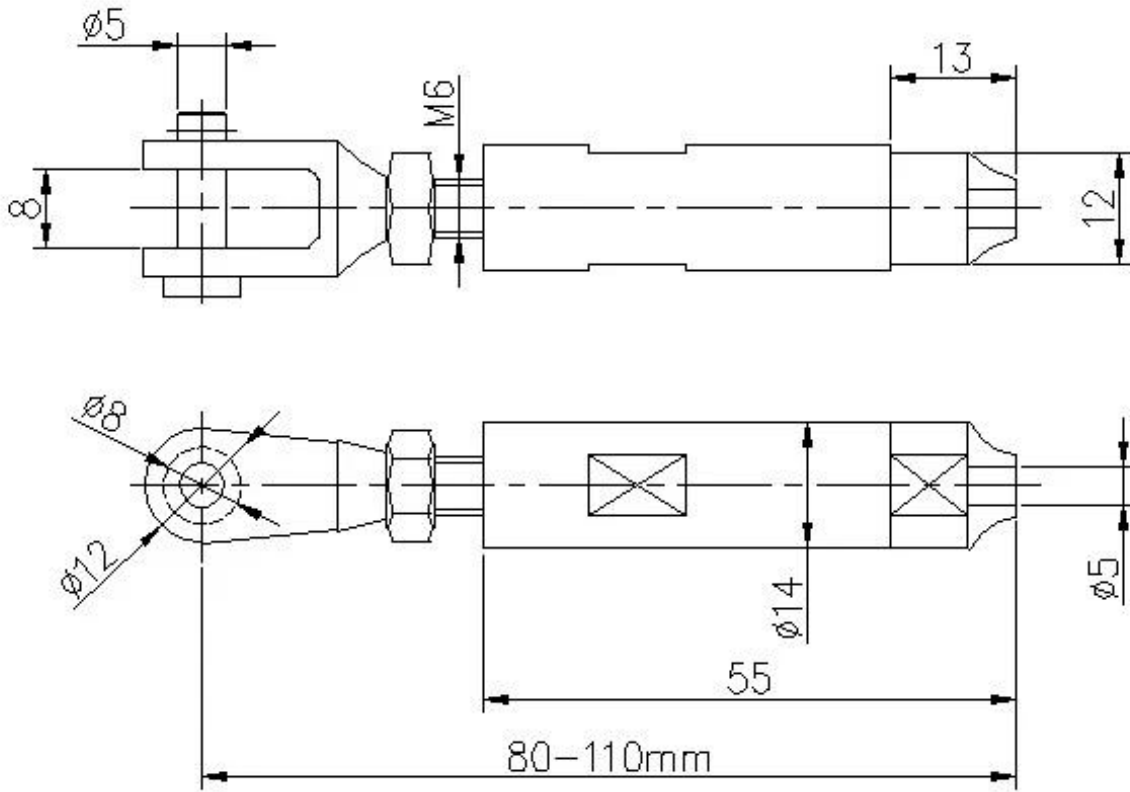
T316 Stainless Steel Swageless Threaded End Tensioner
for cable railing systems . One set of threaded end tensioner includes 2 pcs , one pc used on t
he left side , and the other pc used on the right side .

Features of T316 Stainless Steel Swageless Threaded End Tensioner -

1. Material - stainless steel 316
2. Finish - Matte Black powder coating finish
3. For 4mm 5mm diameter cables
4. Used for Cable Railing systems



Dimensions for T316 Stainless Steel Swageless Threaded End Tensioner -



Inside structure of T803 cable tensioner , clip tight type , no need hydraulic crimpers -



Production photos-

