

## Water Drop Bullet Welding Hinge for Stainless Steel Doors Welding Hinge

|                                  |                                                                                     |
|----------------------------------|-------------------------------------------------------------------------------------|
| <b>Item</b>                      | Weld on Hinges, welding hinge, welding hinges for steel doors                       |
| <b>Hinge Material</b>            | Stainless steel, carbon steel, aluminum                                             |
| <b>Pin &amp; Washer Material</b> | Steel, brass, stainless steel                                                       |
| <b>Surface Treatment</b>         | Polished                                                                            |
| <b>Application</b>               | <b>Truck bodies, refuse containers, agricultural equipment, electronic cabinets</b> |
| <b>Size</b>                      | As you require                                                                      |
| <b>Service</b>                   | OEM & ODM                                                                           |

### Mirror polished stainless steel welding hinges:



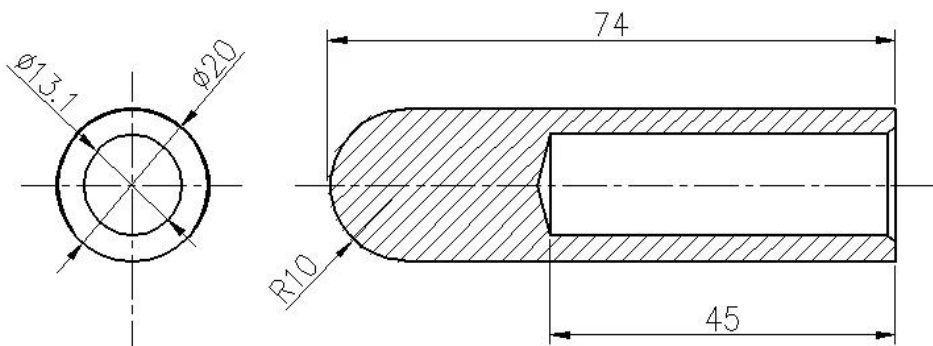
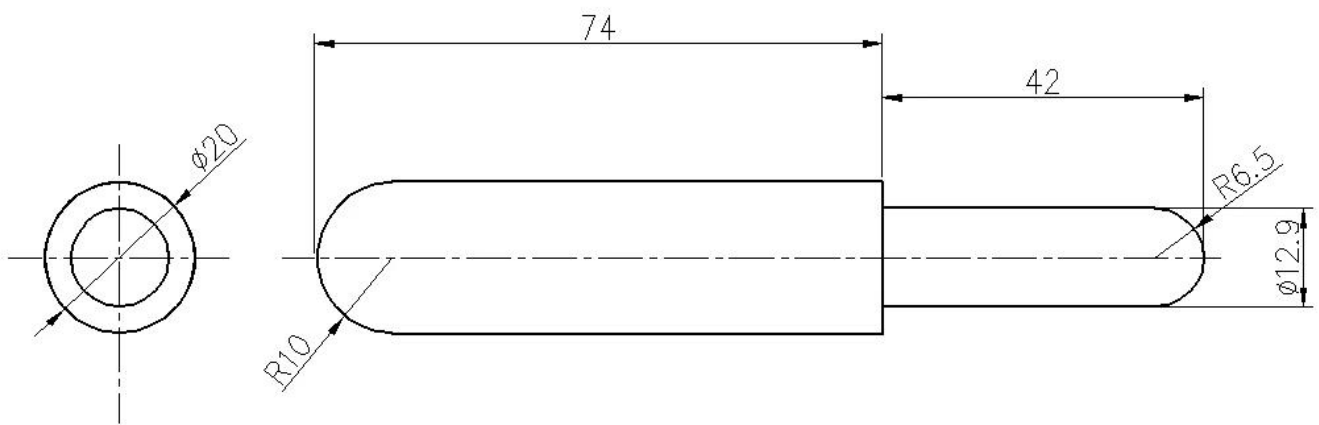
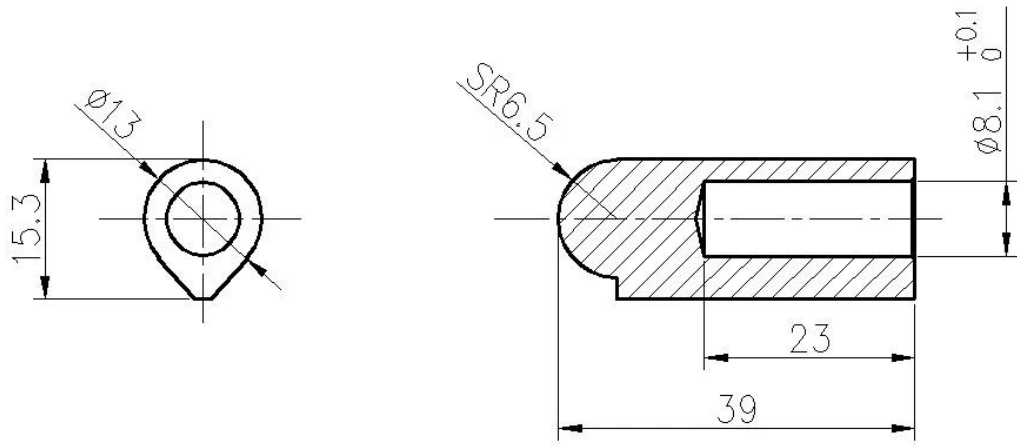
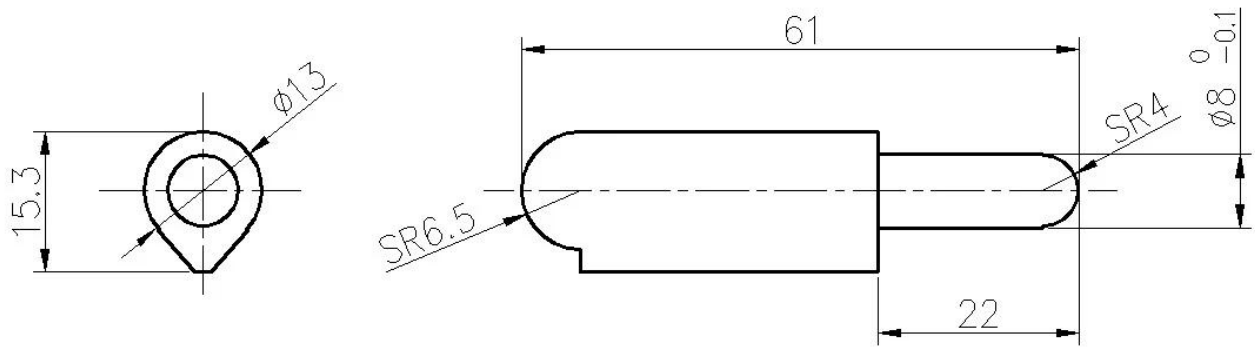
### Mill finish weld on hinges:







Technical Drawings:



Applications:



**Contact us for more details:**

**Eve**

**Email: [sales03@launch-china.cn](mailto:sales03@launch-china.cn)**

**HP/WhatsApp/WeChat: +8613686807796**