

## Wholesale Stainless Steel White Powder Coating Glass Clamp for 1/2" Glass

### Product Description

---

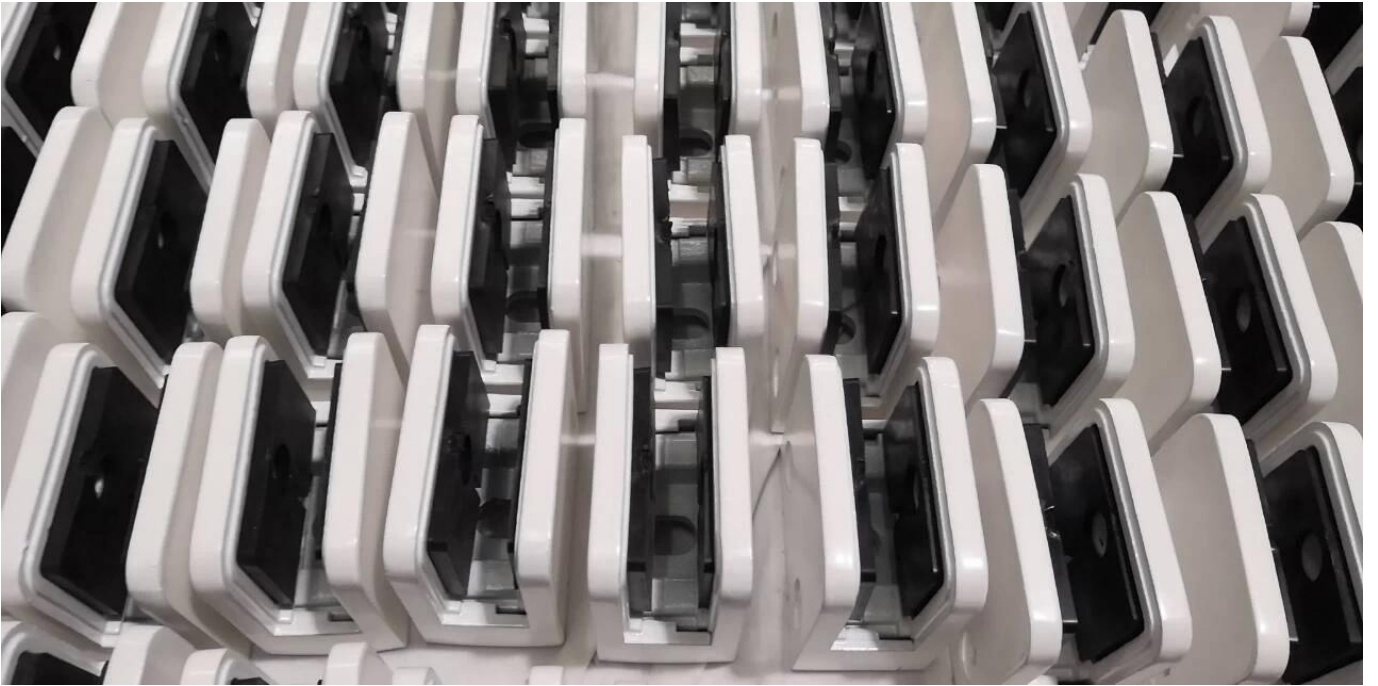
Product Name	Wholesale Stainless Steel White Powder Coating Glass Clamp for 1/2" Glass
Material	Stainless steel 304 or 316
Finish	Powder coating (white/black/gray or customer's color)
Glass clamp type	Flat back and radius back both available
For Glass Thickness	10-12mm glass or customer's requirement
<b>MOQ</b>	<b>100 pieces</b>
Installation	Flat wood/steel/wall surface or radius handrail post
Application	Balustrade glass railing for balcony/deck/stairs...
Insert rubber	Included
Sample	Available to check quality before order
Factory Inspection	Available
Safety Packaging	Bubble bag - cardboard box - carton
Certified	Yes (Material test report can be provided)
OME & ODM Service	Available

### Glass Clamp Details

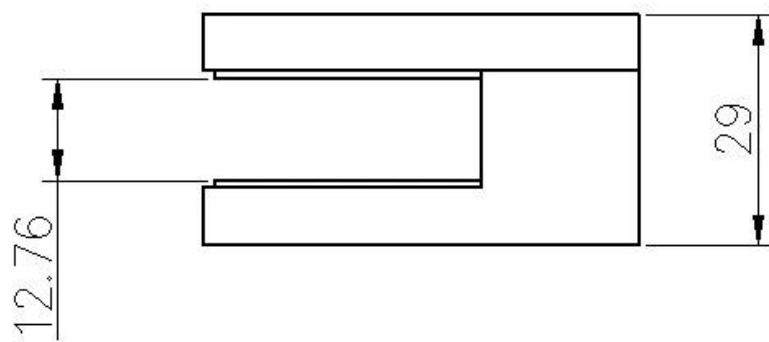
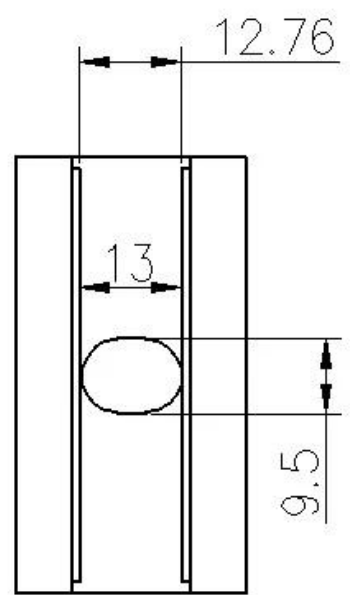
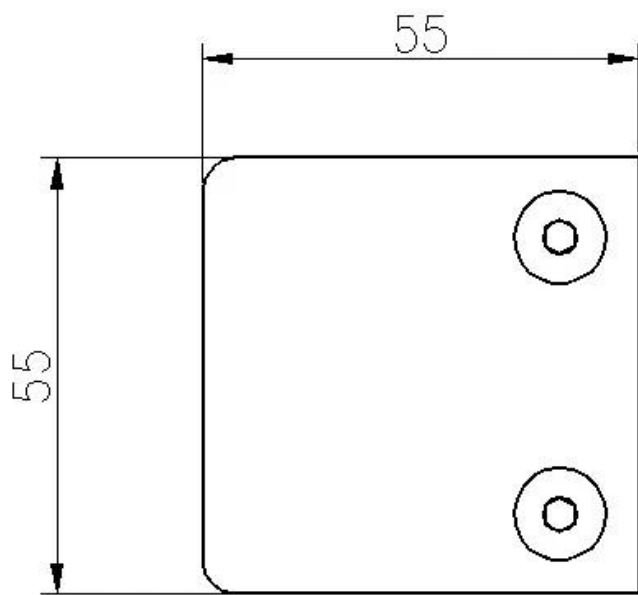
---

White powder coating finish





Glass clamp dimension



Other dimension glass clamp available.(Customized glass clamp is available.)

### Specifications of all glass clamps in our company

Drawing	Picture	Ref.	A	B	C	D	E
		G108	55	55	30	11	0
		G108R	58	55	30	11	R25.4
		G101	51	41	25	11	0
		G101R	55	41	25	11	R21.5/R25.4
		G102	44	44	25	11	0
		G102R	48	44	25	11	R21.5/R25.4
		G103	50	40	22	8	0
		G104	50	40	26	12	0
		G105	54	45	28	14	0
		G107	63	45	28	14	0
		G103R	52	40	22	8	R21.5
		G104R	52	40	26	12	R21.5
		G105R	58	45	28	14	R21.5/R25.4
		G107R	66	45	28	14	R21.5/R25.4
		G106	50	40	25	12	0
		G106R	52	40	25	12	R21.5/R25.4

Other finish glass clamp you may interest.

1. Electroplated black finish glass clamp - *mirror polished finish*



Electroplated black finish glass clamp - *matte finish*



2.New design timber look glass clamp



**Glass Clamp Project**

---









## **Glass Clamp Packaging**

---

1. Bubble bag - cardboard box - carton
2. Or packing as customers' requirements.



## FAQ

---

### 1.Are you factory?

Yes, we are factory.

### 2.Do you offer free samples?

Yes, we offer free samples, but customers need to pay express charges.

### 3.What materials do you have?

We have the material of stainless steel 304, 316, 316L and Duplex 2205.

### 4.What is your MOQ?

MOQ of order required is 1 pc.

### 5.What kind of payment do you accept?

We accept the payment of T/T, LC, PayPal, West Union, etc.

### 6.What is your payment term?

Our payment term is T/T 100% or 30/70 or L/C at sight .

### 7.What is your delivery time?

Our delivery time is from 5 days to 30 days based on your quantity.

### 8.Do you offer OEM & ODM service?

Yes we offer OEM&ODM service.

### 9.Do you offer after-sales service?

Yes, we offer after-sales service. Any complaint for orders will be dealt with in time within 12 hours.

## Contact

---

Any enquiries or questions, please leave a message. Will get back to you within 24 hours!

For any urgent enquiry, please get in touch as below:

-Email: sales04@launch-china.cn

-Office: (86-755) 8603 7559

-Skype: launch\_04

-Mob/whats APP: +86-1353050626