

Wire rope terminal turnbuckles stainless steel cable tensioner T807

stainless steel 304/316 cable tensor
1/8" (3mm) to 1/6" (4mm) cable rope
available in both brushed and mirror finish
used for stair, balcony, outsteps, deck railing etc.
Made in China
sample order first available

T807

For wood, concrete post(go through type, need hydraulic plier installation)

1 pair includes 1 left and 1 right;

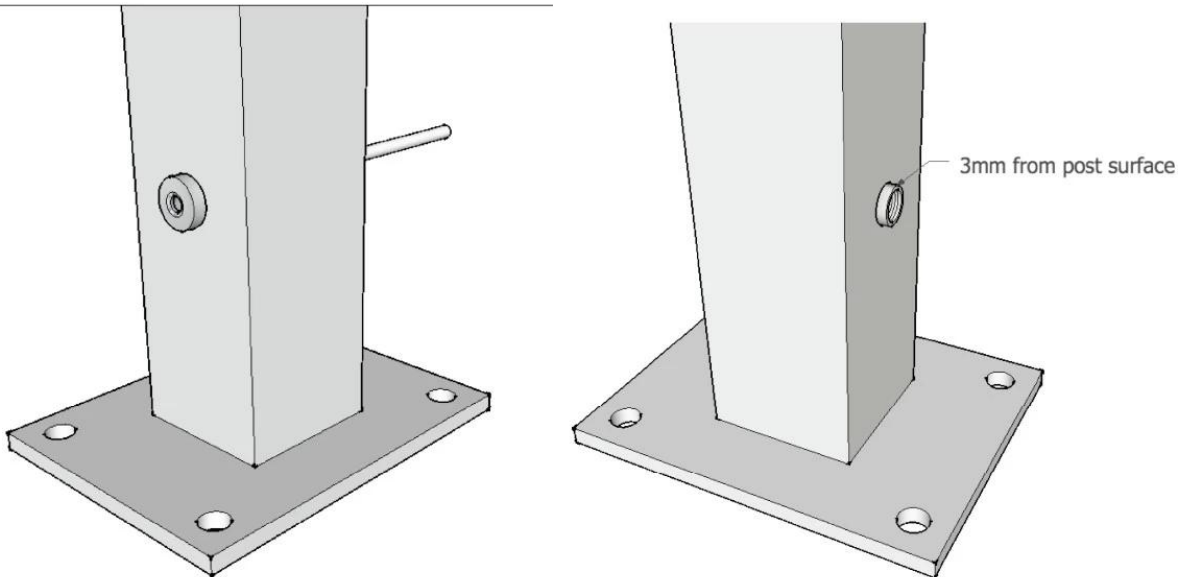


Inside thread



Installation method

Wire rope tensioner goes through the post, put the thread into and adjust the tension;



No nut need at the other side, anyway, you need to drill a hole on the post for the wire rope tensioner.

Further installation will be provide when order confirms.

If you do not like to drill a hole on the post, our T804 could be a good choice, see as below:



Project in Michigan, USA

