

china supplier balcony railing designs stainless steel twins glass holder glass standoff

Material: Stainless steel 316

Model No: SF-50T

Description:

1. one set includes two pieces of standoffs and one piece of stainless
2. steel plate 200x100mm size;
3. one standoff includes two gaskets and one sleeve
4. one stainless steel plate with six holes drilled for 9.5mm bolt
5. For steel application or wood application

Photo:

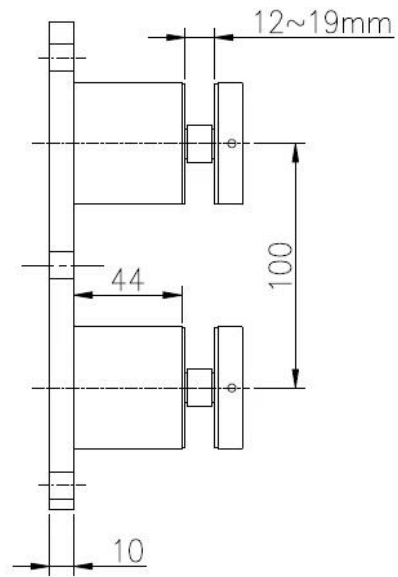
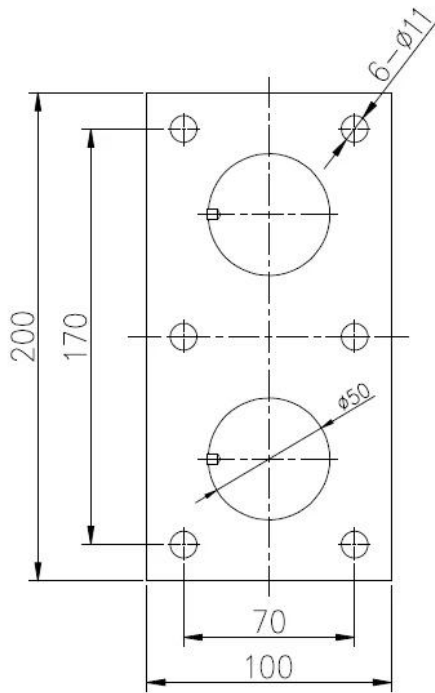


Plate size: 200x100mm, customized as per your demand;

Plate thickness: 10mm;

For glass thickness 10-19mm or thicker;

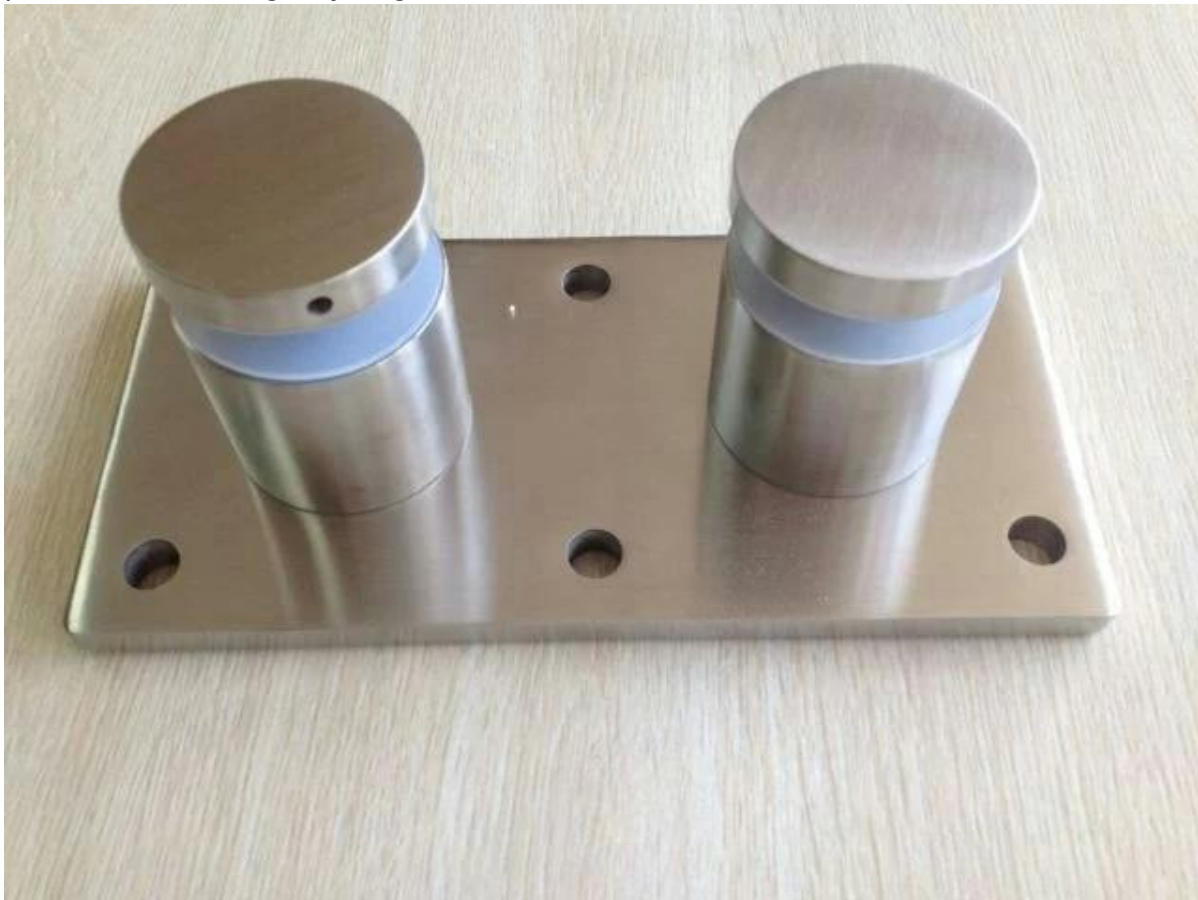
Standoff part size as below:



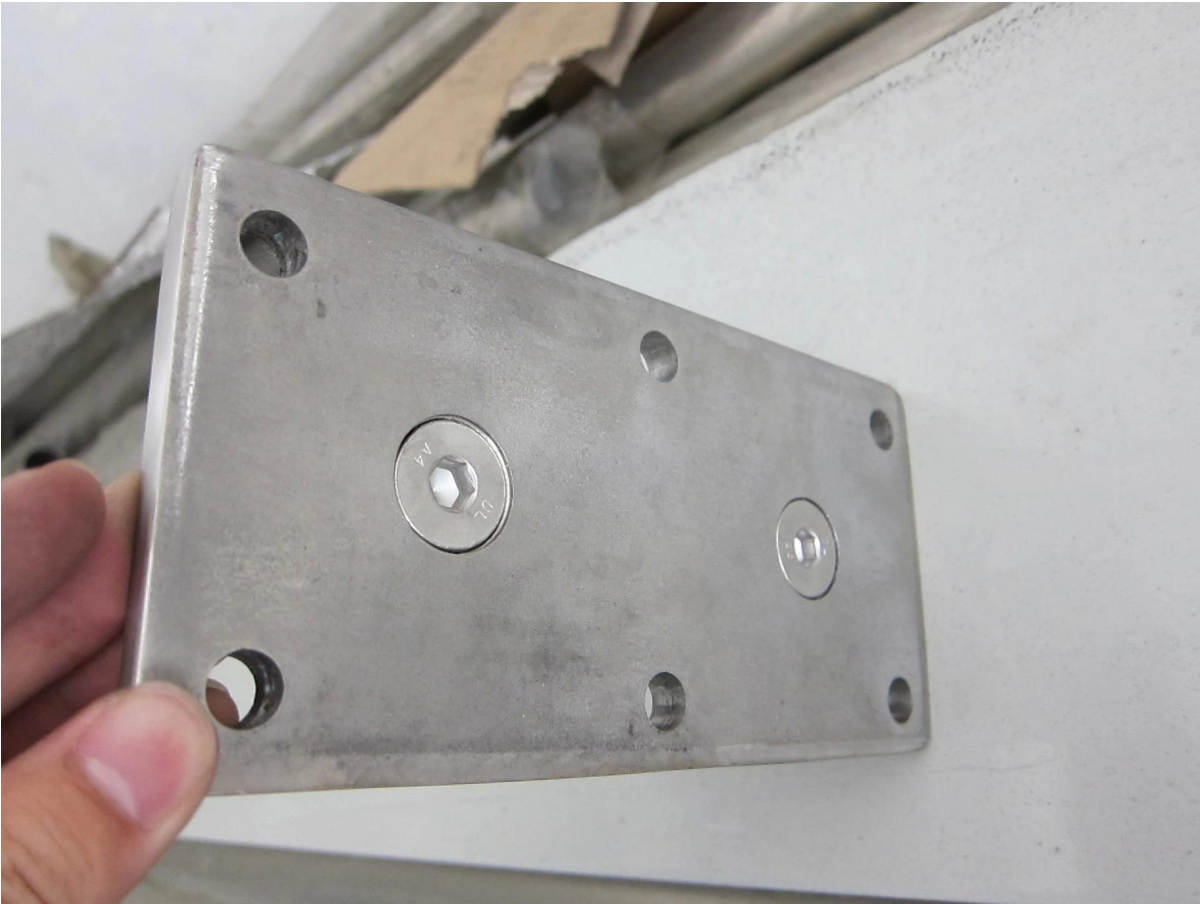
深圳市朗馳商貿有限公司
 SHENZHEN LAUNCH CO., LTD.

Surface treatment	Satin	Prop
-------------------	-------	------

Satin brushed with glass standoff parts, rubber gasket, glass predrilled, hole location will be provided according to you glass size;



Back view:



Glass railing with standoff project for your reference:

Installation,



Project finished;



SF-50T is used for balustrade glass from 12-19mm even bigger or thicker, especially for outdoor balcony, deck, terrace frameless glass railing design;

Model No. SF-50 standoff:

[javascript:void\(0\);/*1465716034337*/](javascript:void(0);/*1465716034337*/)

