

Custom design Matte Black Glass Mount Handrail Bracket Holders made by precision casting for 20mm thickness glass .

Specifications for Glass Mount Handrail Bracket Holders -

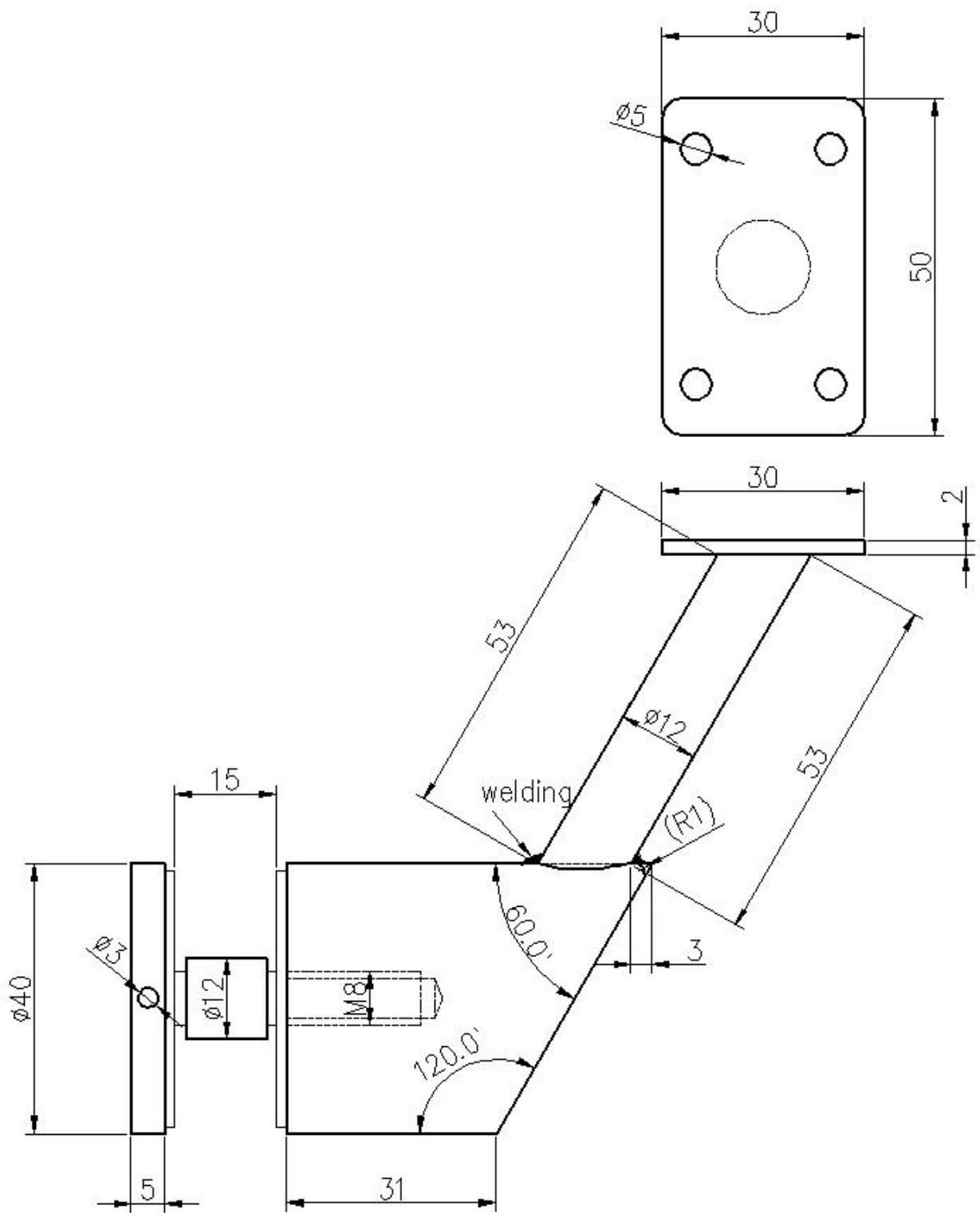
Model No.	SF-50T-B
Technique	Made by precision casting
Dimensions	190*50mm
Glass thickness	20mm
Glass holes	Required
MOQ	100 pcs

Photos of Glass Mount Handrail Bracket Holders-

1).For round handrail tube-







2). For square handrail tube -`







