

Stainless steel glass clamp

Deck railings balcony railing designs stainless steel U square shape glass clamp

Spec. :

Material: Stainless steel 304/316;

For glass thickness: 8-12mm;

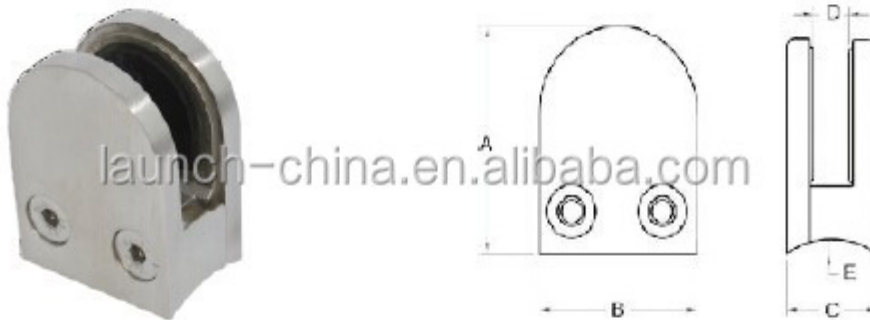
Finish: Satin or mirror polished.

Model No.: G102, G103, G104, G105 and G106 .

1. Round shape glass clamp list:

<http://www.chinabalustrade.com>

Material	Stainless steel 304/ 316
Finish	Satin / mirror polished
For glass thickness	6mm -13.52mm



Model No.	A	B	C	D	E
G103	50	40	22	8	0
G104	50	40	26	12	0
G105	55	45	28	14	0
G103R	52	40	22	8	R-21.5
G104R	52	40	26	12	R-21.5
G105R	58	45	28	14	R-25.4

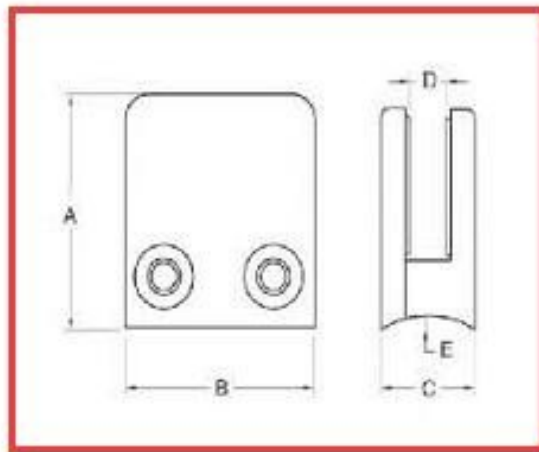


Shenzhen Launch Co., Ltd



www.launch-china.cn

2. Square shape glass clamp list :
[javascript:void\(0\);/*1465199197806*/](javascript:void(0);/*1465199197806*/)



For glass thickness: 8-10mm

Model No.	A	B	C	D	E
G102	44	44	25	11	0
G102R	46	44	25	11	R-21.5





3. 90 degree corner glass clamp :
[javascript:void\(0\);/*1464254509961*/](javascript:void(0);/*1464254509961*/)



4. 180 degree middle glass clamp :





Thanks for your visit, Any interested or needs, please kindly contact with me freely :

Contact: Joey Lan

Email: sales02@launch-china.cn .

Skype: launch-02. Mob/Wechat/WhatsApp: 86-18707054903 .