

Duplex 2205 core drill glass spigot with cover ring for frameless glass pool fencing .

#### 1. FEAUTURES-

1. MODEL # SCM
2. SQUARE TYPE 50\*50\*285MM
3. WITH COVER RING
4. DUPLEX 2205 MATERAIL
5. SATIN /MIRROR FINISH
6. IN GROUND TYPE
7. MOQ 10-50 PCS

#### 2.PHOTOS of square core drill glass spigot

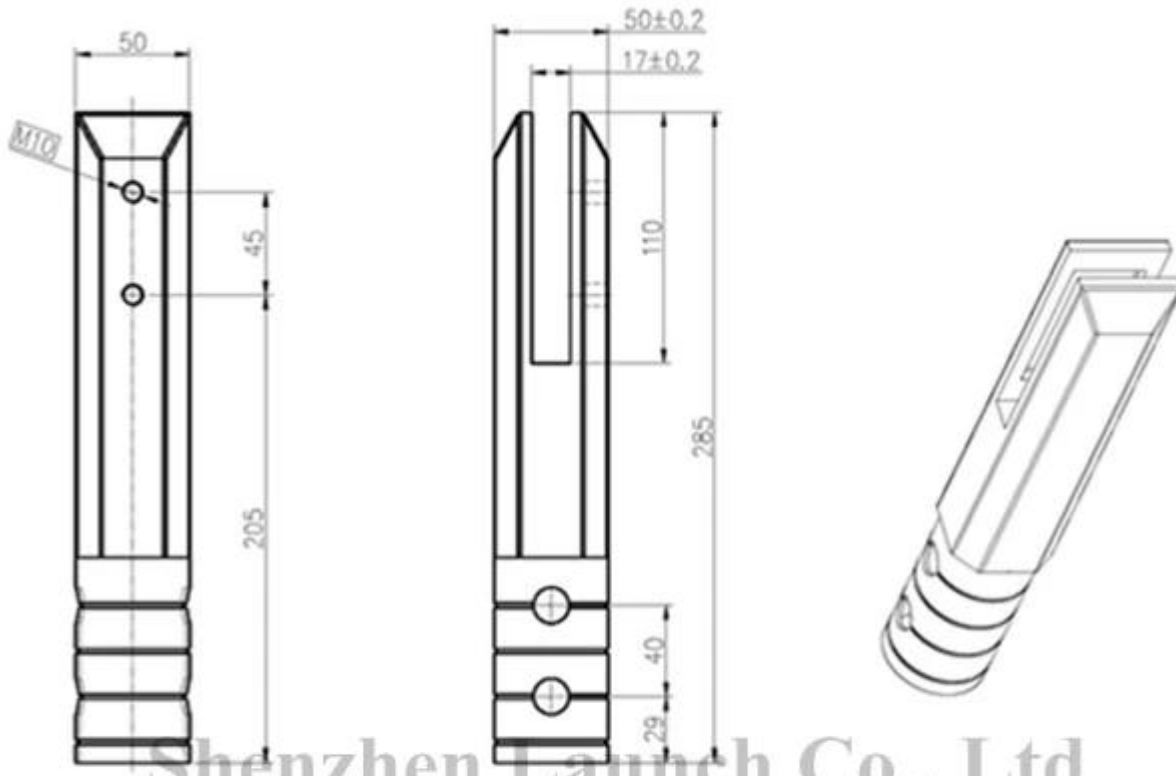
**KEBIL** 科比奥®



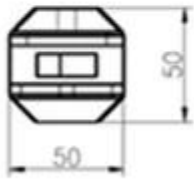


3. drawing of SCM core drill glass spigot-

Project name



Shenzhen Launch Co., Ltd



数量共页第页

<b>深圳市朝福商贸有限公司</b> <b>SHENZHEN LAUNCH CO., LTD.</b>		表面处理
设计	裴佳辉	材料
校对		图号:SCM
工艺		名称:Spigot
审核		版次
批准		Y001

4. Production & packing photos -

2014/03/19

