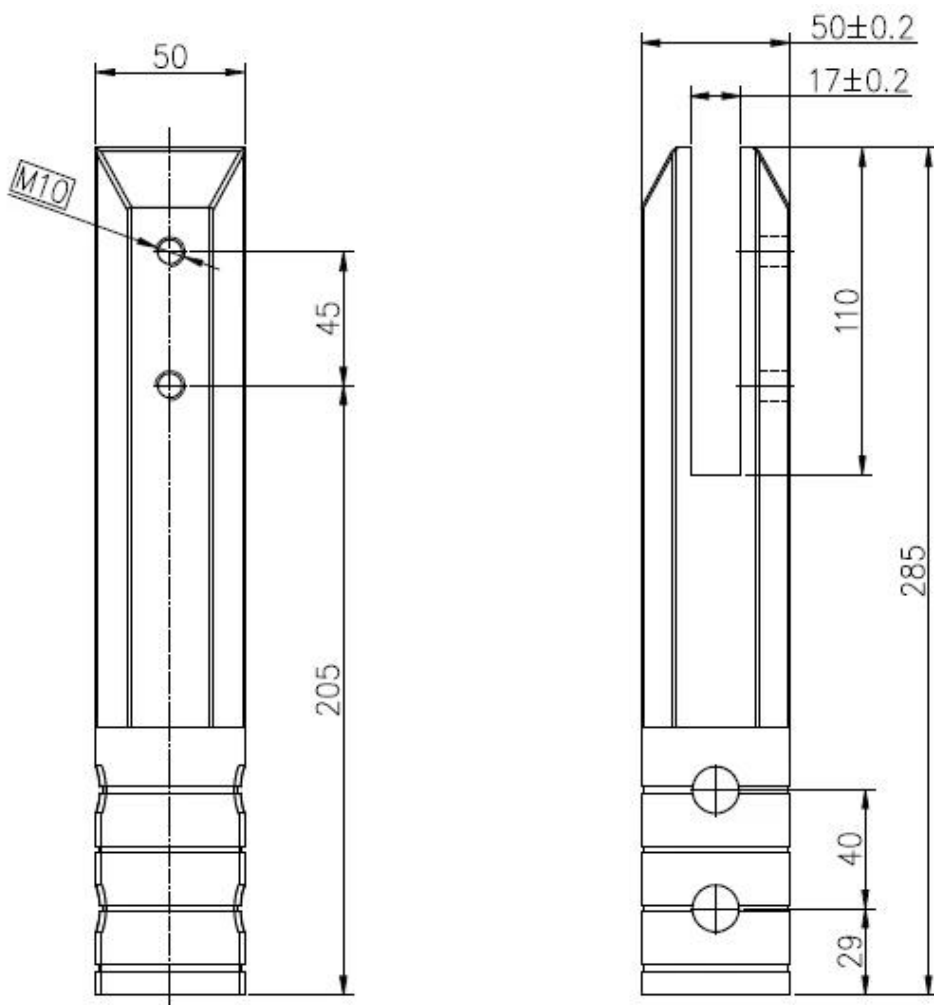


duplex 2205 square core drill glass spigot china factory

- 1.square core drill glass spigot
- 2.satin and mirror polished finish
- 3.to suit 10-13.52mm glass
- 4.dimension:50*50 with 285mm high
- 5.cover plate included
- 6.tech:by casting
- 7.MOQ:1pc
- 8.net weight:2.1kg
- 9.no holes required in the glass panel
- 10.glass hinge and latch also available

drawing:



product show:
mirror finish



satin finish



p

packing details:

- 1 pcs/PE foam/small case
- 10cases/carton
- 23kg/carton



Other types of glass spigots available

1.round core drill glass spigot RCM

[stainless steel glass spigot factory for balcony design, stainless steel core drill glass spigot supplier for pool fence design](#)



2.round base plate glass spigot RBM
[stainless steel duplex2205 glass spigot for self pool fence china manufacturer,china duplex2205 round base plate glass spigot 12mm](#)



mirror finish duplex2205 glass spigot

[china 12mm frameless glass balustrade spigot supplier, stainless steel 12mm glass spigot for swimming pool fence](#)



mirror finish duplex2205 glass spigot

[china 12mm frameless glass balustrade spigot supplier, stainless steel 12mm glass spigot for swimming pool fence](#)



3.square base plate glass spigot SBM
[china stainless steel 316 base plate glass spigot for pool fencing](#)



4.glass hinge and latch
[stainless steel glass door hinge and latch china manufacturer,8-10mm tempered glass door hinge and latch for pool fence](#)



