

Stainless steel duplex 2205 square core drill glass spigot for 10-13.52mm thickness glass .

Features of square core drill spigot-

- Model No. SCM
- Material duplex 2205
- Finish , satin , mirror , black
- standard length of core drill spigot 185mm , extra length available
- MOQ 10 pcs

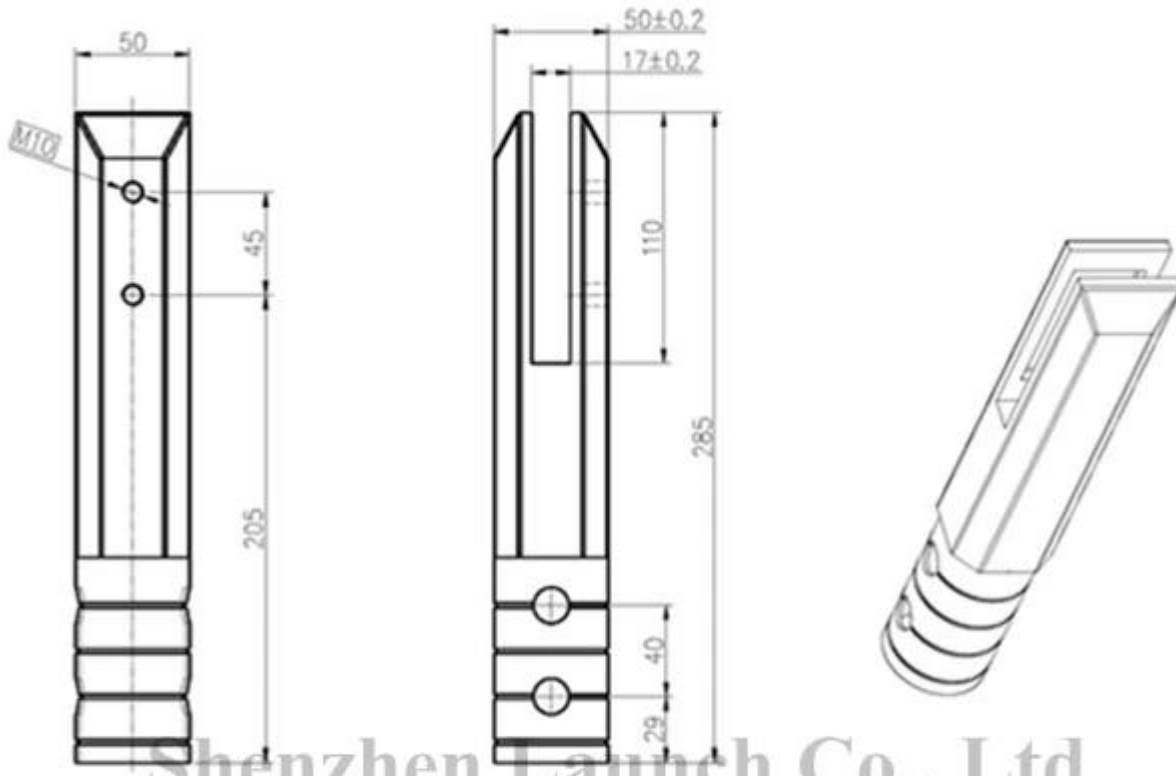
Photo of square core drill glass spigot-

KEBIL 科比奥®

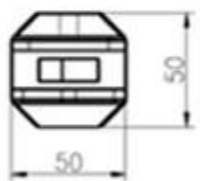


Drawing of square core drill spigot-

Project name



Shenzhen Launch Co., Ltd



数量共页第页

深圳市朗驰商贸有限公司 SHENZHEN LAUNCH CO., LTD.		表面处理
设计	裴佳辉	材料
校对	图号:SCM	未
工艺	名称:Spigot	线性公差
审核	版次	角度公差
批准	Y001	

Production photos of square core drill glass spigot-





Project photos of square core drill glass spigot-



