

Glass banister glass holding hardware stainless steel standoff bracket

[1. Model No: SF-50T standoff description:](#)

- 1. one set includes two pieces of standoffs and one piece of stainless plate bracket
- 2. steel plate 200x100mm size;
- 3. one standoff includes two gaskets and one sleeve
- 4. one stainless steel plate with six holes drilled for M10 bolt
- 5. For steel application or wood application

[2. Glass standoff bracket photos:](#)

1) standoff bracket physical photo & mass goods photo

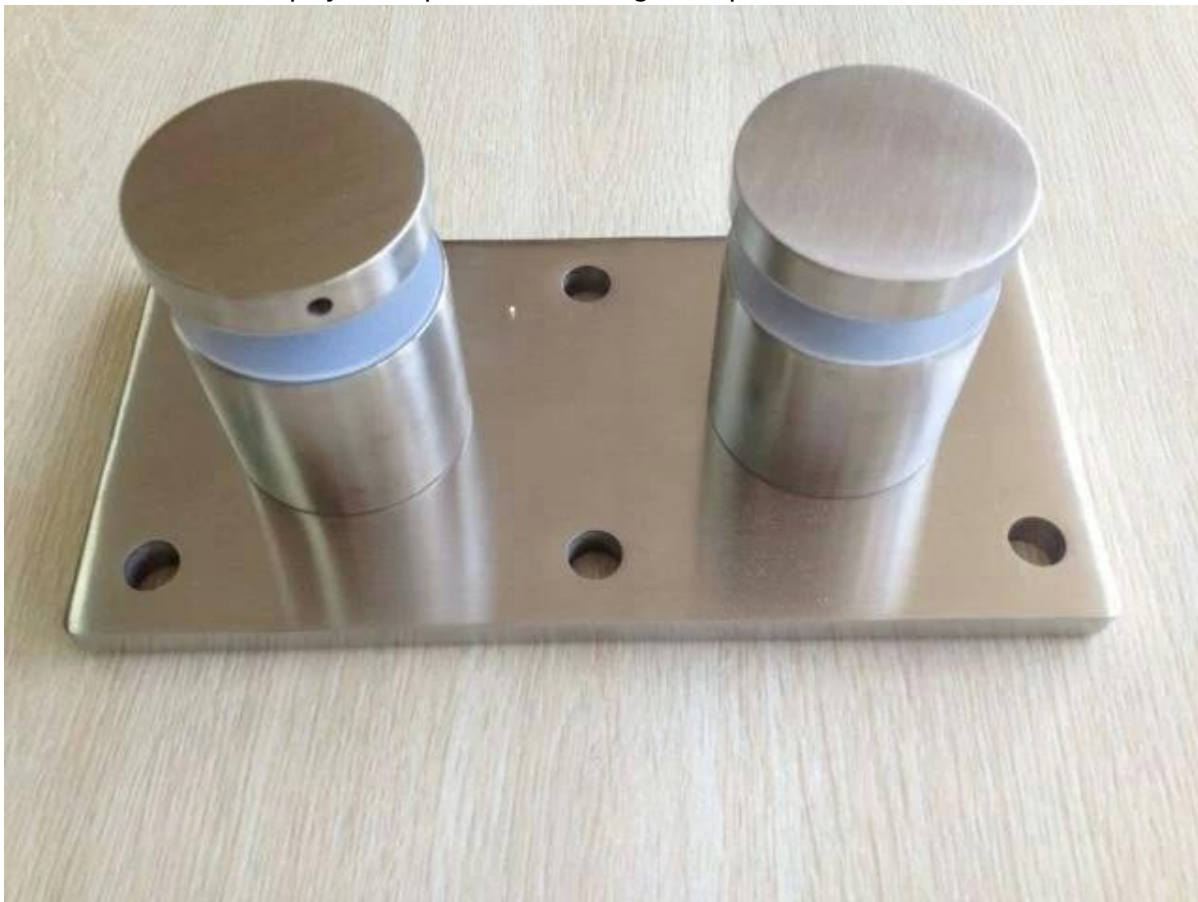
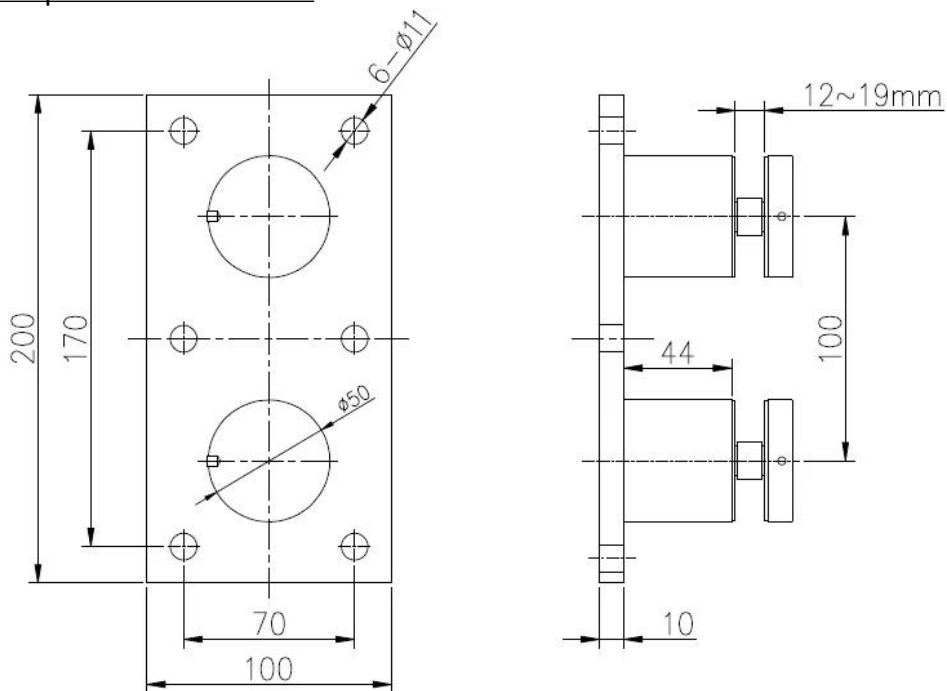




Plate size: 200x100mm, customized as per your demand;
 Plate thickness: 10mm; For glass thickness 10-19mm or thicker;

2) Standoff part size as below:



深圳市朗馳商貿有限公司 SHENZHEN LAUNCH CO., LTD.	Surface treatment	Satin	Prop
--	----------------------	-------	------

3. [Glass railing with standoff bracket project for your reference:](#)



[4. The other type glass standoff for your review.](#)

Model No. SF-30 & SF-50 standoff:
[javascript:void\(0\);/*1468207288751*/](#)



Thanks for your visit, Any interested or needs, please contact with me freely :

Contact: Joey Lan

Skype: launch-02 .

Email: sales02@launch-china.cn .