

glass rail standoff bracket with mounting plate

SF-50T

Material: stainless steel 304/316;

Satin brushed or mirror polished;

Size: 100x200x10mm;

Usage area: for staircase or balcony, indoor use or outdoor use;

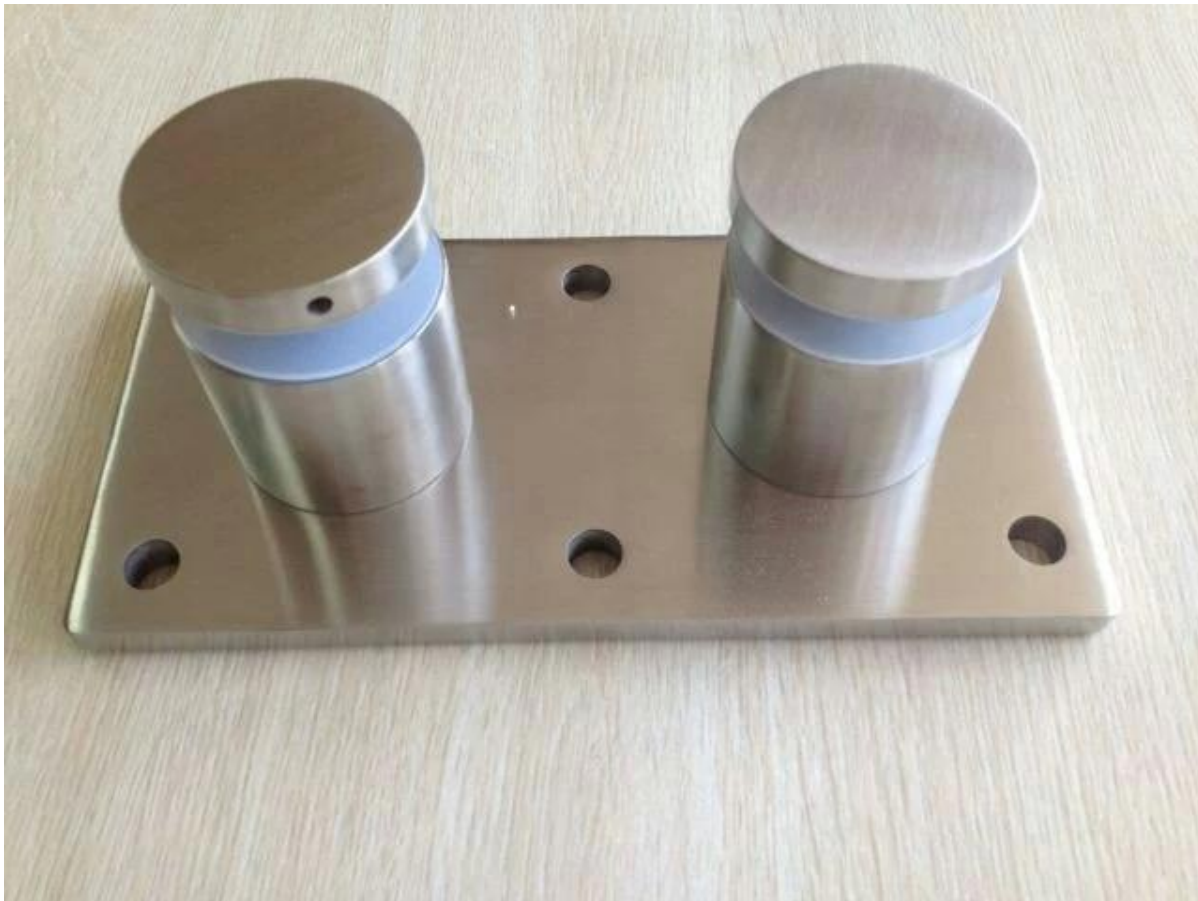
Glass thickness: 8mm to 19mm or customized thickness glass

Accessories:

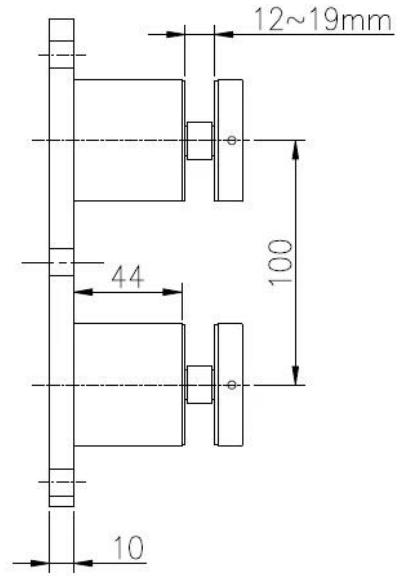
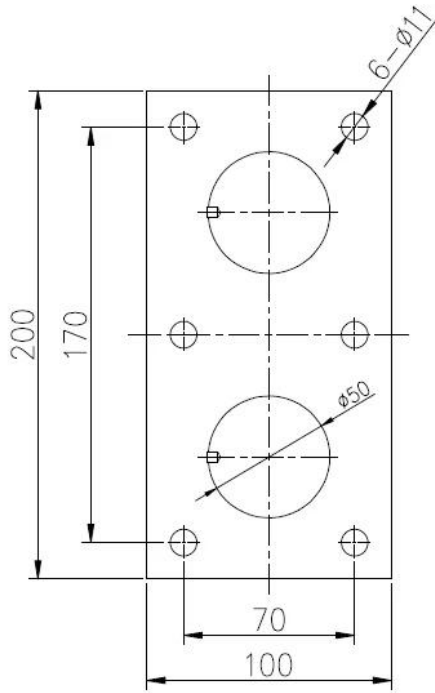
silicon rubber in middle

normal screw for concrete mount

lag screw for deck mount



Size drawing;



深圳市朗馳商貿有限公司 SHENZHEN LAUNCH CO., LTD.	Surface treatment	Satin	Prop
--	----------------------	-------	------

SF-50T is used for big size and heavy glass such as 12mm, 15mm, 19mm or more. It could be used at balcony, deck, staircase at indoor or outdoor.

Project
Frameless glass railing design



If your glass is not that big and heavy, our SF-50 will be a good choice, see details as below:

SF-50

Material: stainless steel 304/316;

Satin brushed or mirror polished;

Size: 50x30+50x12+M12x100 bolt;

Usage area: for staircase or balcony, indoor use or outdoor use;

Glass thickness: 8mm to 15mm or thicker glass;



SF-50

