

glass railing stainless steel fence post clamp made in china

Glass railing stainless steel fence post clamp specification :

Material: Stainless steel 304/316;

For glass thickness: 8-12mm;

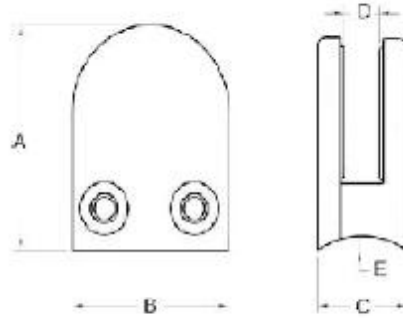
Finish: Satin or mirror polished.

Model No.: G102, G103, G104, G105 and G106 etc .

1. Round shape stainless steel fence post clamp list:

<http://www.chinabalustrade.com>

Material	Stainless steel 304/ 316
Finish	Satin / mirror polished
For glass thickness	6mm -13.52mm

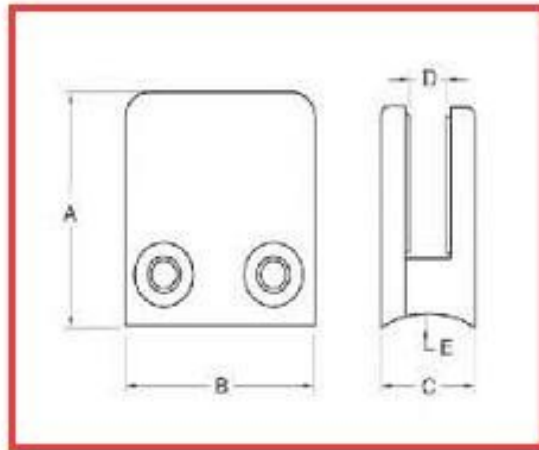


Model No.	A	B	C	D	E
G103	50	40	22	8	0
G104	50	40	26	12	0
G105	55	45	28	14	0
G103R	52	40	22	8	R-21.5
G104R	52	40	26	12	R-21.5
G105R	58	45	28	14	R-25.4





[2. Square shape stainless steel fence post clamp list :](javascript:void(0);/*1465199197806*/)



For glass thickness: 8-10mm

Model No.	A	B	C	D	E
G102	44	44	25	11	0
G102R	46	44	25	11	R-21.5



3. [90 degree corner stainless steel fence post clamp :](http://www.1464254509961.com)
[javascript:void\(0\);/*1464254509961*/](http://www.1464254509961.com)



4. 180 degree middle stainless steel fence post clamp :



Thanks for your visit, Any interested or needs, please kindly contact with me freely :
Contact: Joey Lan

Email: sales02@launch-china.cn .

Skype: launch-02. Mob/Wechat/WhatsApp: 86-18707054903 .