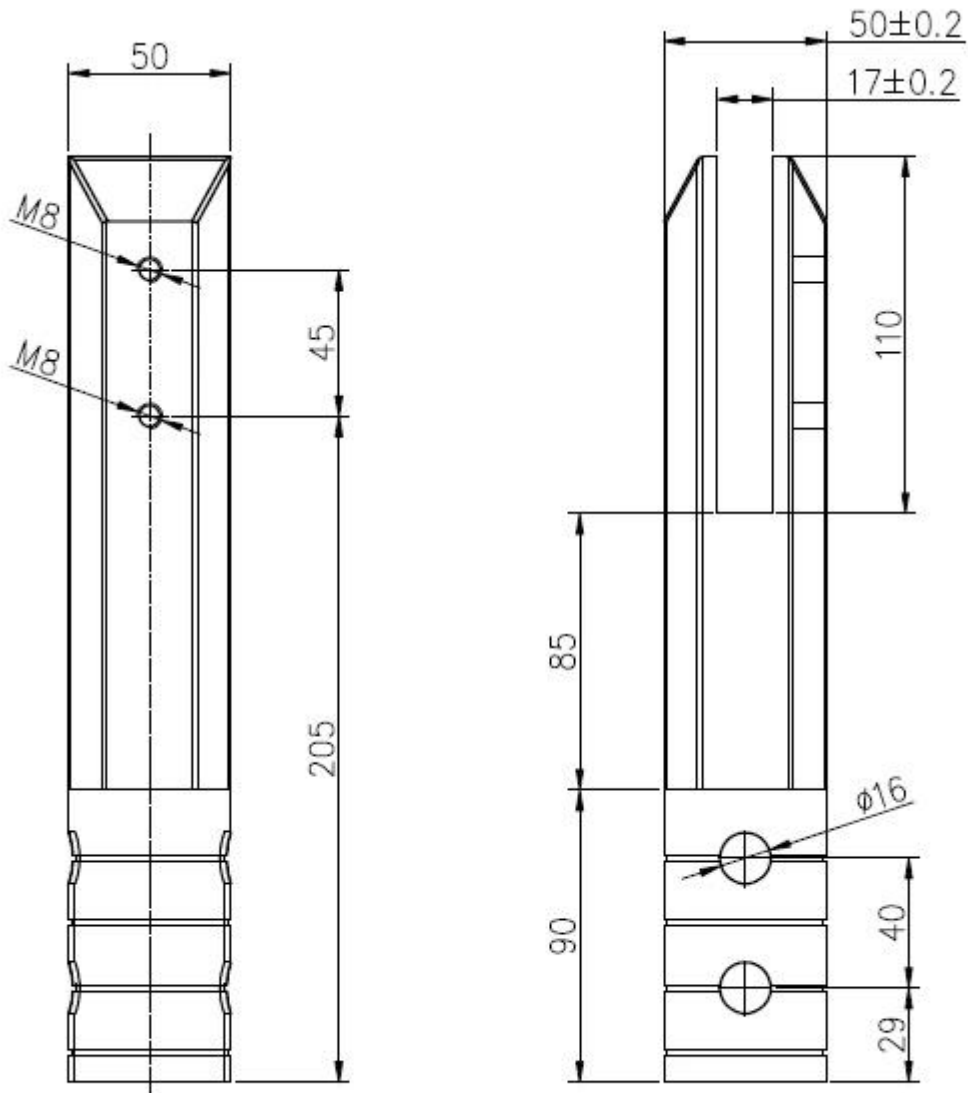


spigot model: square core drill spigot
for concrete mounting
Please review the photo here:



SCM

Dimension:
length:285mm
width:50*50mm
groove length:110mm
groove width(opening):17mm
bottom to groove:175mm
surface to top:185mm
surface to bottom:90mm
2 X screws for adjusting opening
Please download drawing here:



This model of spigot can be used for pool fence and balcony fence. It's much stronger than base mount spigot. Its heavier and size bigger than base mount models.

Each spigot is about 1.9KG.

One spigot has one white carton and come with 1 allen key.

10 pieces will be packed in a outer carton.

Outer carton size is 310*310*135mm

Please review the package photo here:



For the SCM spigot technical drawing, please download here:

