

316 stainless steel heavy duty spring loaded glass hinge for swimming pool fence glass gates .

Features of Glass hinge for swimming pool fence-

Type	Glass to glass hinge
Function	spring loaded type glass hinge
Model No.	G-G
Material	316 stainless steel
Finish	satın , mirror , powder coating , electro plating
For glass thickness	8mm 10mm 12mm
Max. door leaf weight	30kg
hinge cap	flat caps or coned caps
MOQ	1 pair
Other hardwares available for pool fence	glass latch , glass spigot

Glass to glass hinge photo , matt black powder coating-

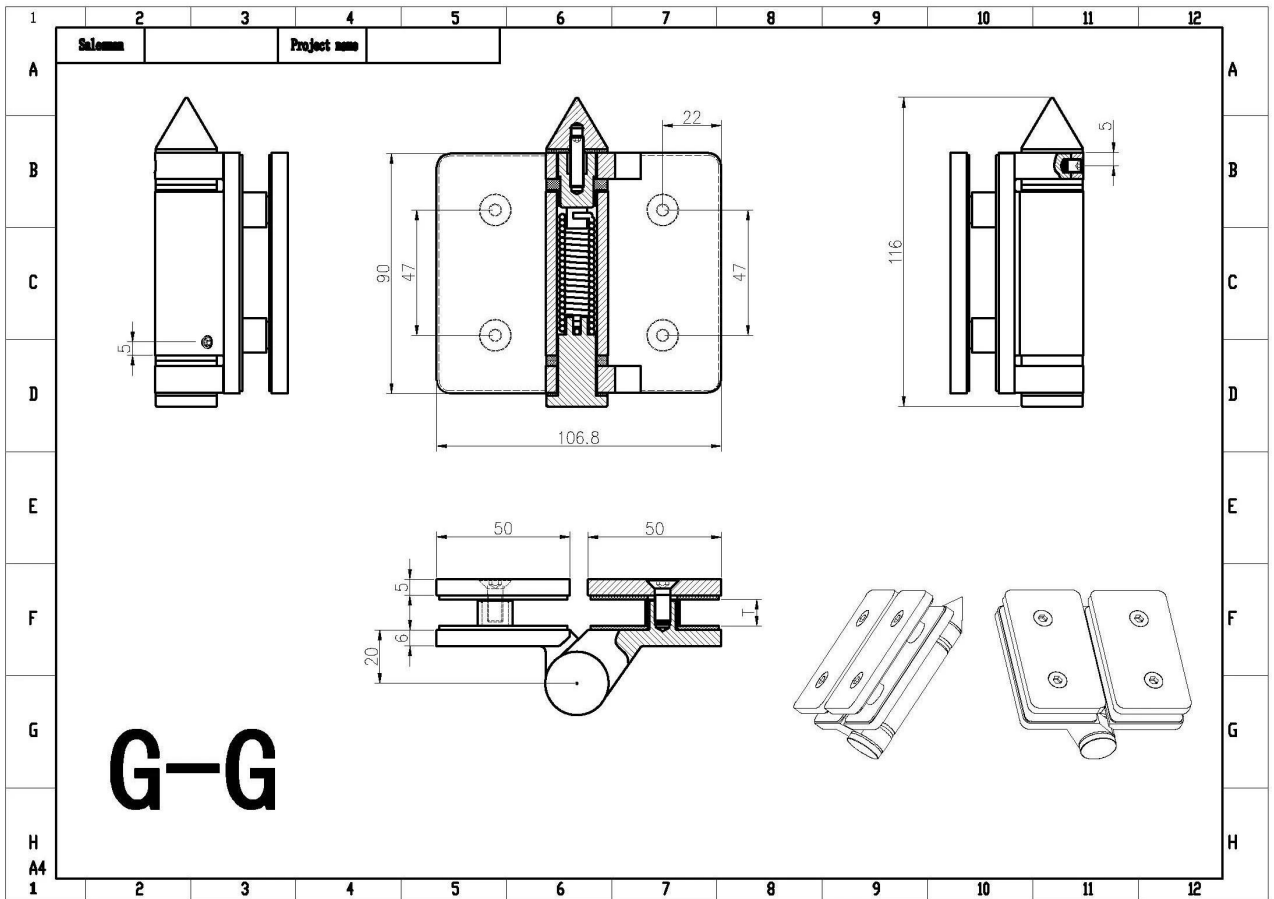








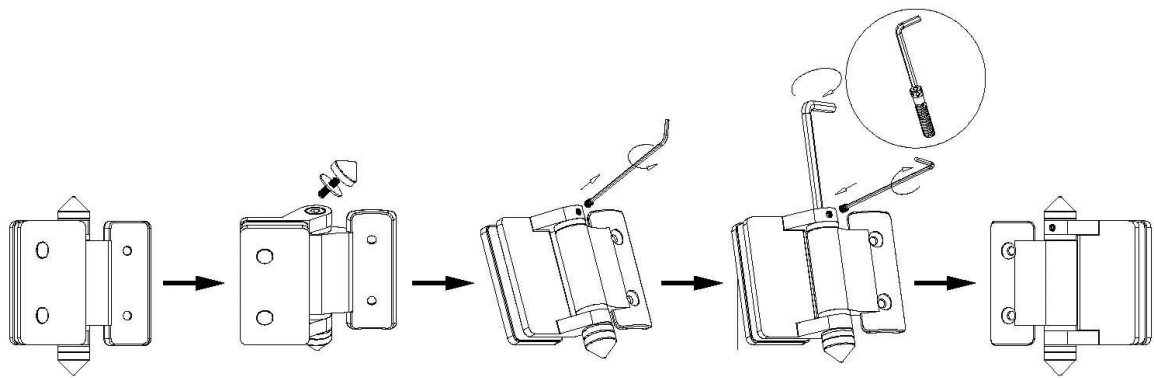
Dimensions for glass to glass hinge -



Installation instructions for glass to glass hinge-



Instructions for adjusting tension on Glass to Round post hinge

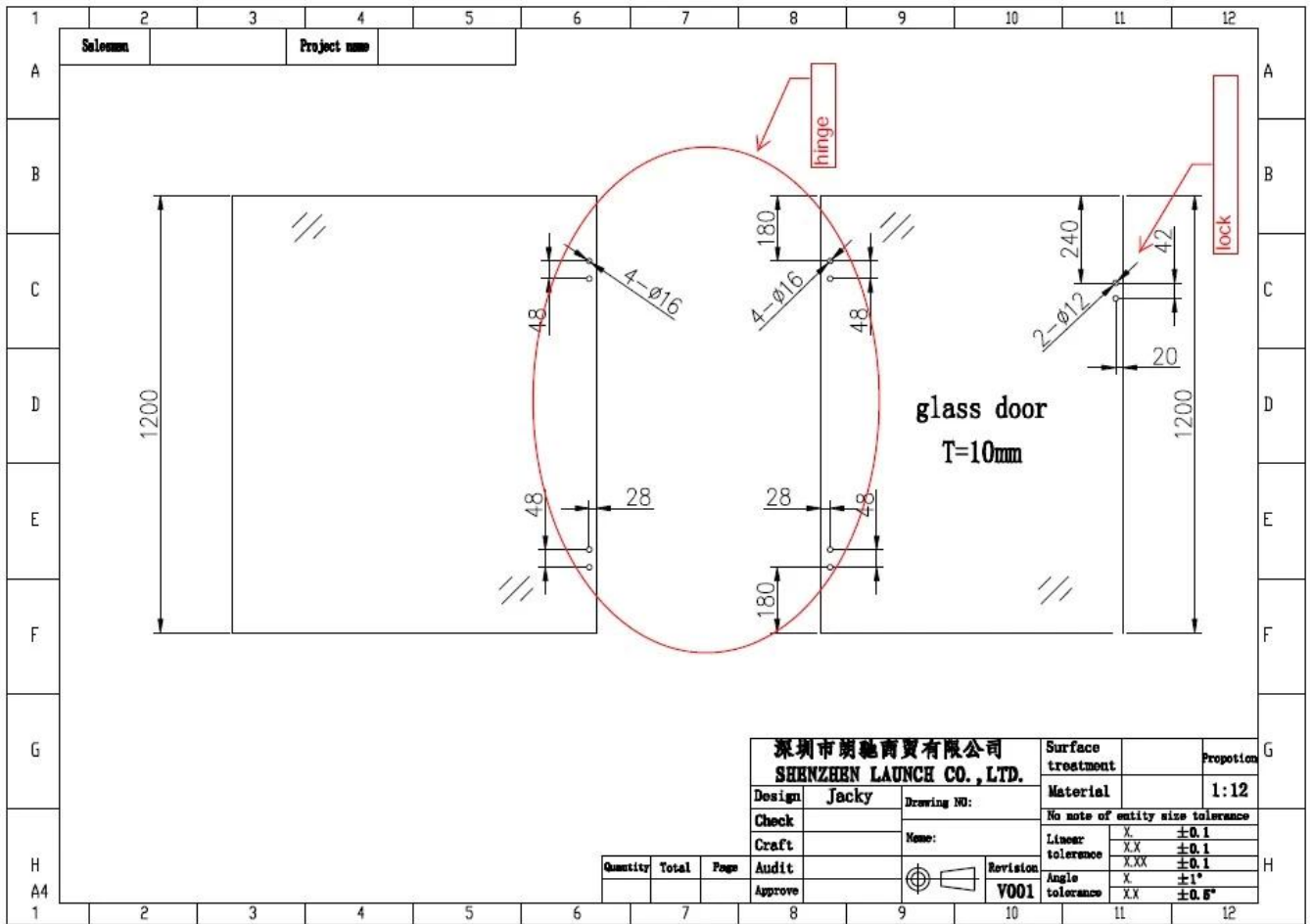


STEP 1
Remove cone and grub screw by turning anticlockwise to reveal tension pin.

STEP 2
Remove grub screw from side of hinge with Allen Key supplied.

STEP 3
Turn the tension pin clockwise to the next hole in tension pin, then tighten the grub screw, repeat this process a Maximum of three times or 360°, Do not over tension.

Glass hole drawing for hinge & latch-



深圳市朗馳商貿有限公司 SHENZHEN LAUNCH CO., LTD.			Surface treatment	Proportion
Design	Jacky	Drawing NO:	Material	1:12
Check		Name:	No note of entity size tolerance	
Craft			Linear tolerance	X ± 0.1
			tolerance	XX ± 0.1
Audit			Angle tolerance	X $\pm 1^\circ$
Approve			tolerance	XX $\pm 0.5^\circ$
			Revision	V001

Quantity	Total	Page

Other models of glass hinges -
glass to wall hinge



glass to round post hinge



Production photos of glass hinges-



Project photos of swimming pool fence-



