

Hinge weight:

- Glass to glass hinge: 1.2kg
- By opening angle: 45-90 degree in and out
- 120 degree 135 degree for fencing or glass shower door

Application: glass swimming pool fence, glass shower door

Services:

1. Sample service
2. Custom service (OEM or ODM)
3. After-sale service
4. Drawing available
5. Stocks available
6. Installation instruction service
7. Fast feedback
8. Timely responding
9. Manufacturer 's warranty

Please see below pictures of our hinge:
Sheet metal hinge glass to glass (G-G1), weight 1.2kg



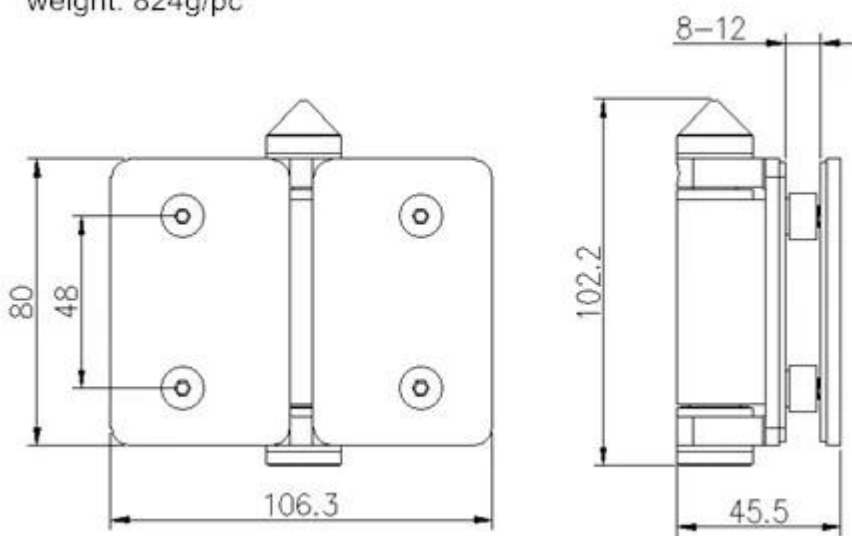
G-G1

Casting glass to glass hinge (G-G2), weight 1.2kg



G-G2

weight: 824g/pc



We usefull produce other hardware Regarding pool fence, if you need more information, please email me: sales05@launch-china.cn ^^



Glass panels

