

powder coated aluminum fence post 10mm thick tempered glass railing

1. Description:

Aluminum handrail post is widely used in semi-frameless glass fencing system. It is designed to hold 1/2" glass, and with base plate type is the most popular.

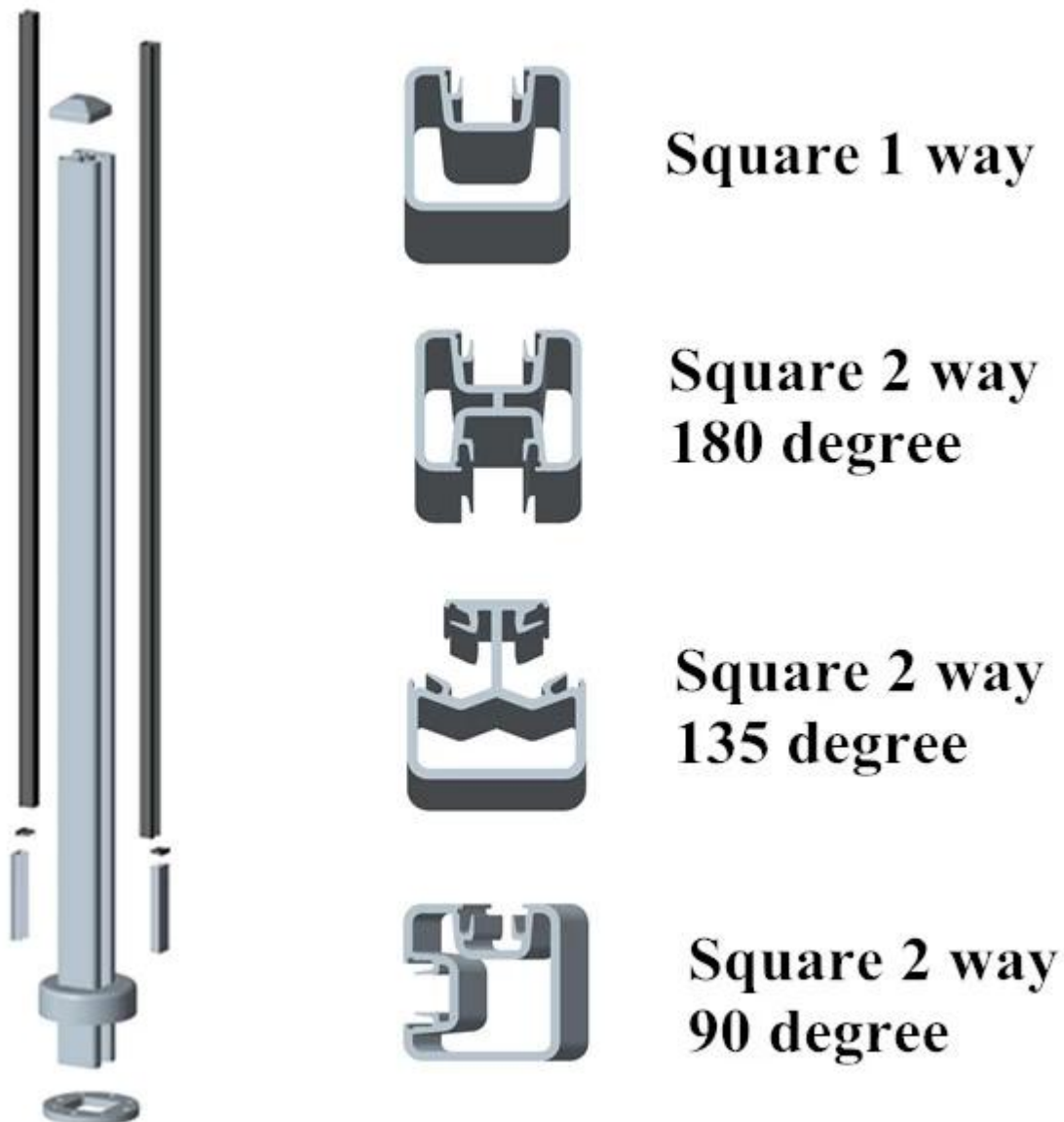
Powder Coating is the most suitable and durable coating available for aluminium products. An extensive range of colors are available.

2. Aluminum post specifications:

1. Material: 6063 T5
2. Finish: Anodizing, powder coating with RAL color.
3. post height: 1265mm high or as per your requirement.
4. Dimension: square type:50*50*3mm and round type:dia50mm*3mm

3. Square shape aluminum post :

Different types of square shape aluminum post available,







Aluminum handrail post balcony, pool fence glass railing project for your reference ,

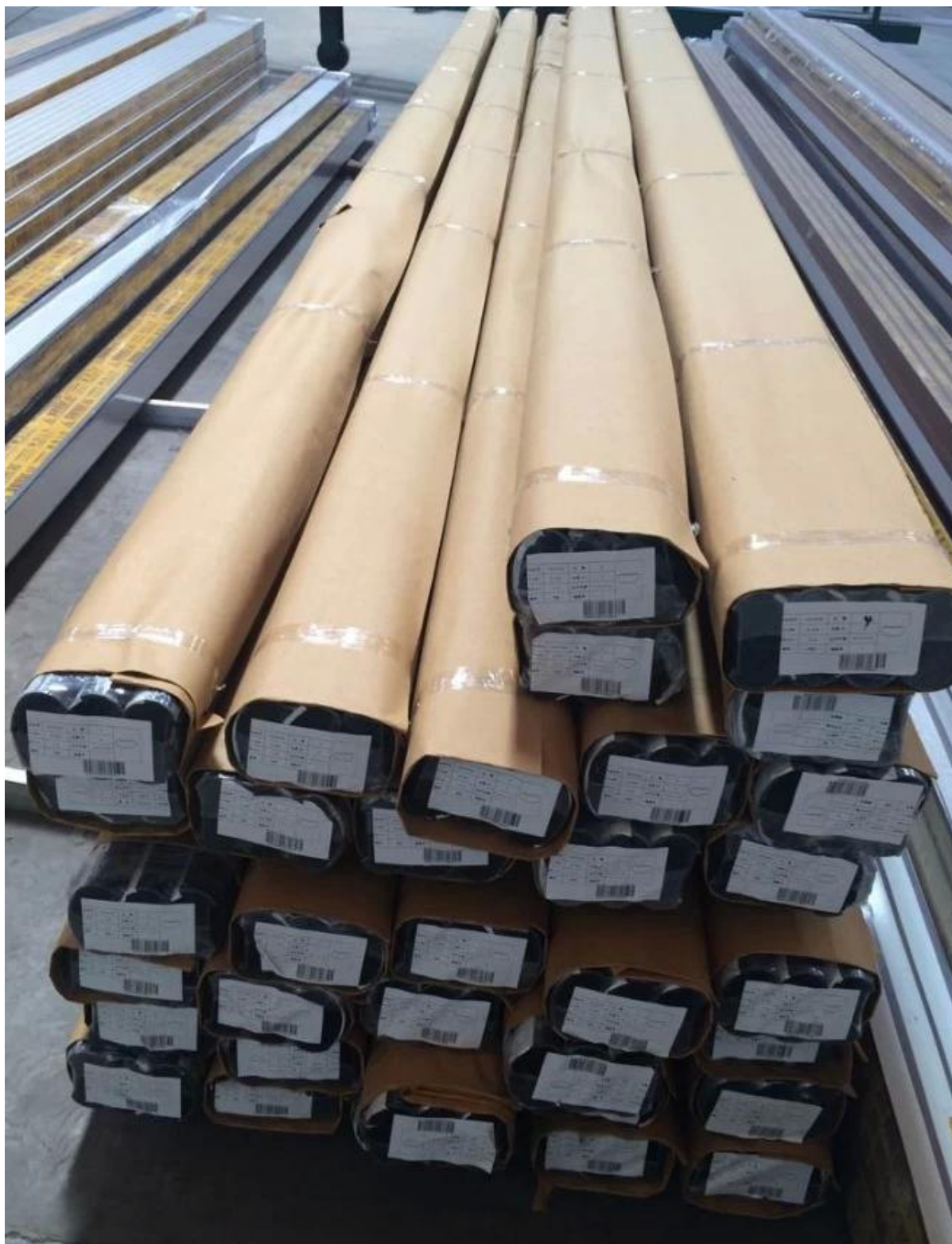


3. Side mounting square shape aluminum post:





4. Aluminum profile handrail and post packing photo ,



Thanks for your visit. Any interested or needs, please contact with me freely :

Joey Lan

Shenzhen Launch Co., Ltd

www.launch-china.cn www.chinabalustrade.com

Email: sales02@launch-china.cn .

Skype: launch-02 . Office: 86-755-86037559 .

Add: B5-003, 5/F-Block 3, Yilida Building, No.1092 Nanshan Road, Nanshan District, Shenzhen, china. Postal code 518054.

