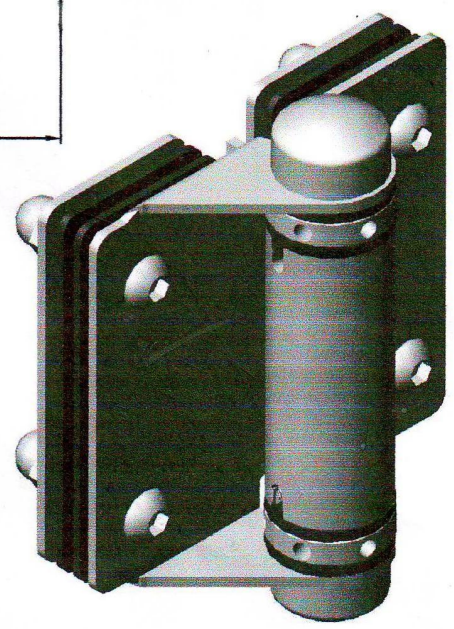
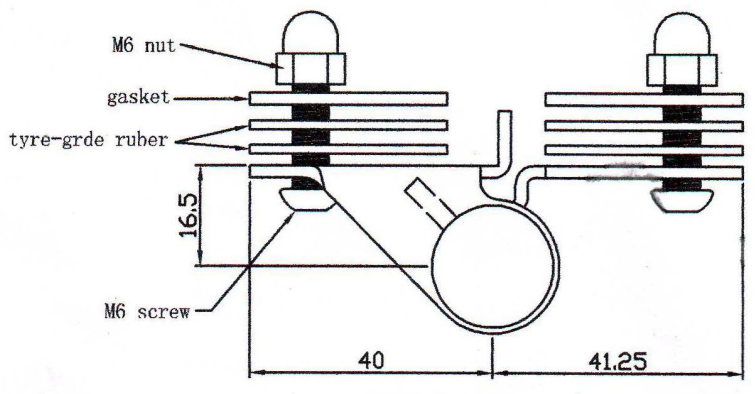
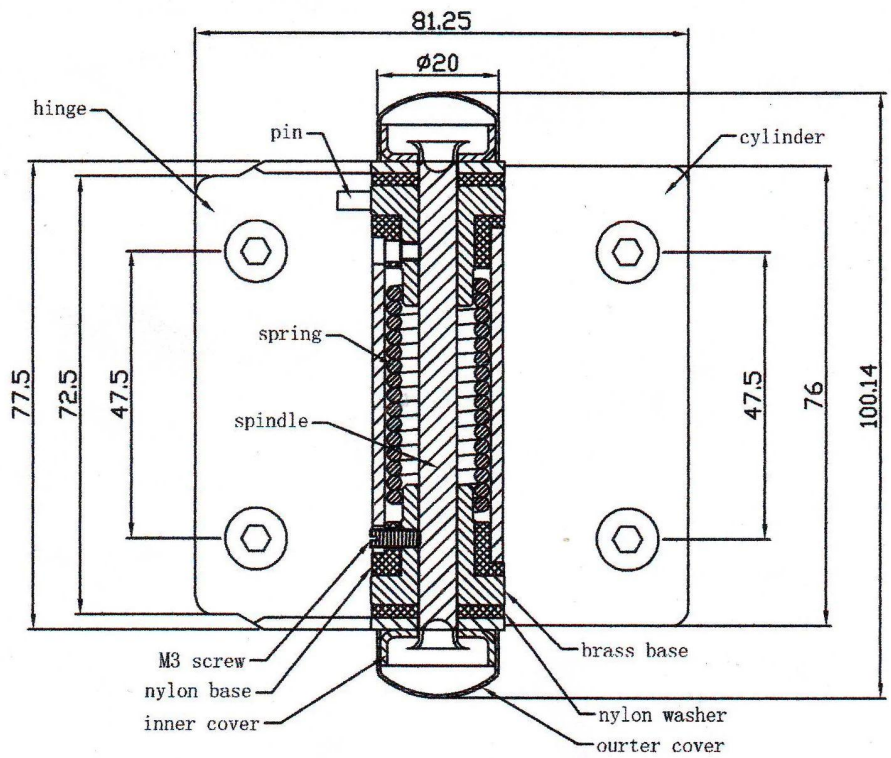


Sheet metal glass to glass hinge which we provide must be suitable for your swimming pool gate.

name	G-G1 (sheet metal glass to glass hinge)
material	stainless steel 316
finish	mirror or satin polished
for glass thickness	8-12mm
MOQ	1 set
function	to connect the glass panel to glass gate, self closing
package details	1. two hinges/inner case 2. four cases/carton 3. as per your requirement
shipping method	by UPS,DHL,FedEX,TNT,by air and by sea



G-W 1



If you have any interest in it, please contact us, [Shenzhen Launch Co., Ltd.](http://www.shenzhenlaunch.com) We will give you the best service.