

spider balustrade post with adjustable angles stand off glas staircase railing

1. Spider balustrade post specifications :

Material: stainless steel 316 (304 grade is available)

Finish: polished or brushed

Square post size: 50*50*1.5mm wall thickness (customer size post is available)

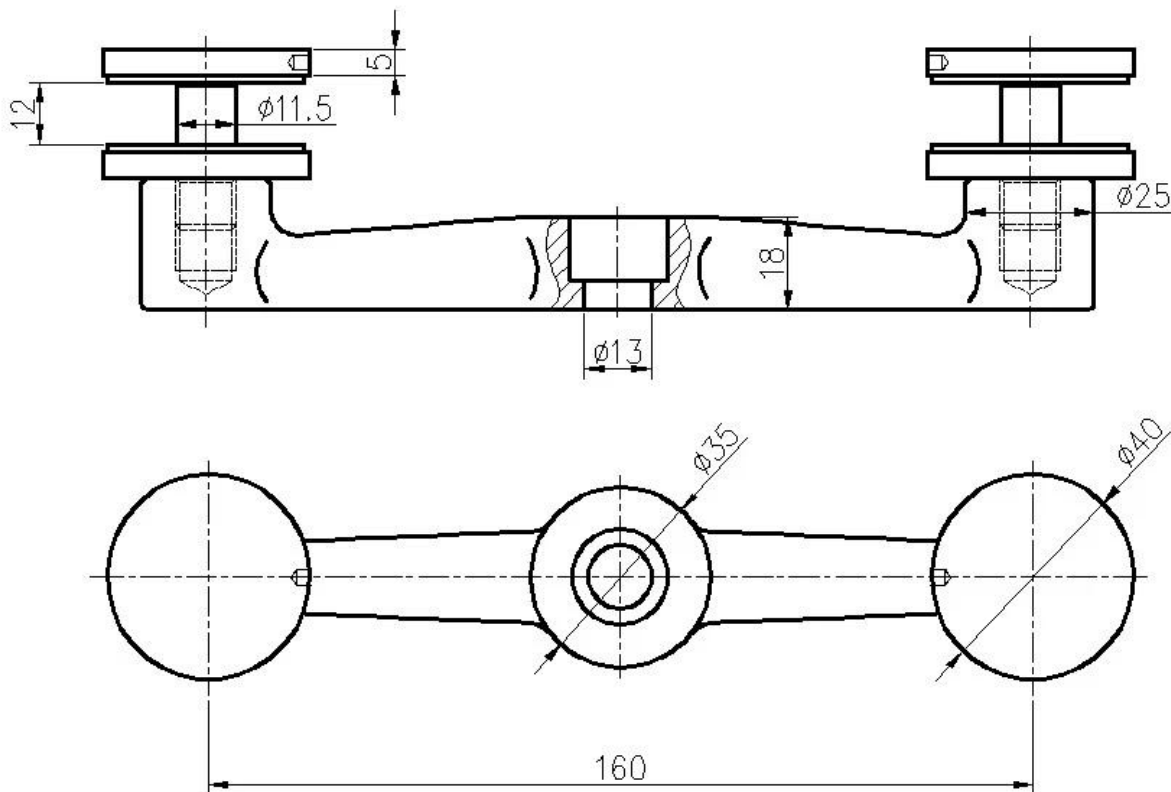
End post with 1 way spider fitting

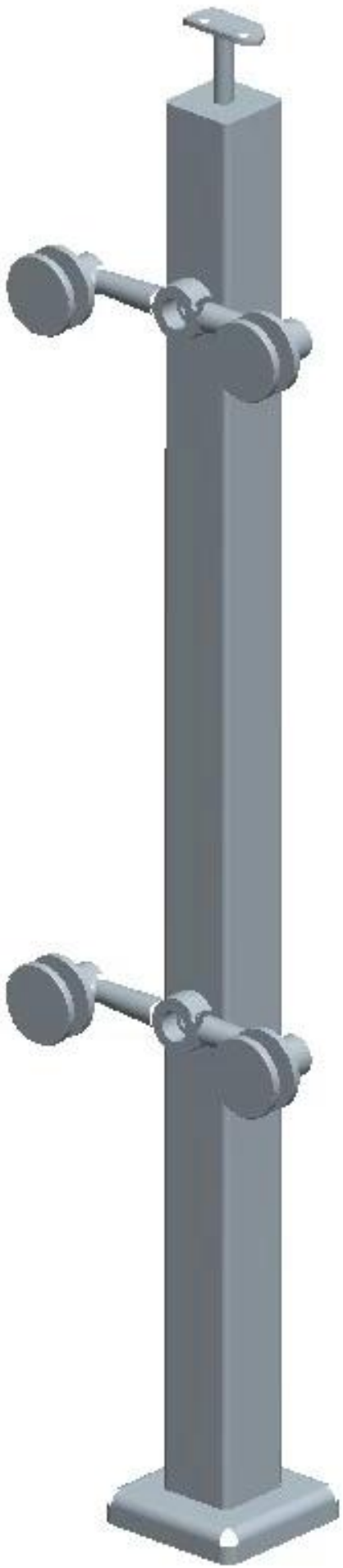
Middle railing post with 2 way spider fitting

Standard Hight: 1100mm (customer post hights available)

Designed for 10-15mm glass or as per your requirement

Adjustable angles stand off design for staircase or balcony etc.







2. Spider balustrade post photos :











Thanks for your visiting. Any interested, please contact with me freely :

Email: sales02@launch-china.cn . Skype: [launch-02](#).