

316 stainless steel high quality matt black powder coated modern look Spring loaded adjustable 180 degree glass to glass pool hinge , to be used for 8-12mm thickness glass gates .

1).Specifications of spring loaded 180° glass to glass pool hinge-

Pool gate thickness	8mm 10mm 12mm
Material	316 stainless steel
Finish	satin , mirror , matt black
Max. door leaf weight	30kg
MOQ	1 pair = 2 pcs

2). Photos of 180 degree adjustable glass to glass pool gate hinge-

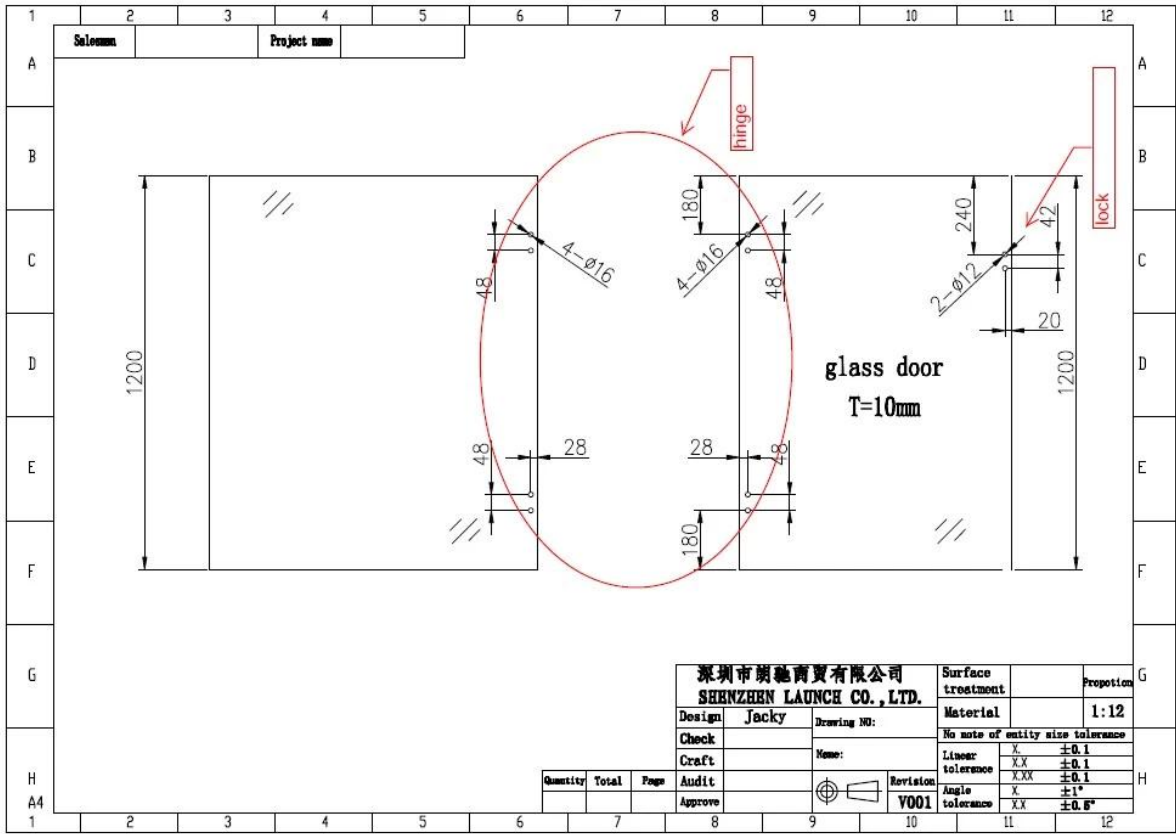








3). Glass gate hole drawing for glass hinge & latch -



4). More models of stainless steel glass hinges -

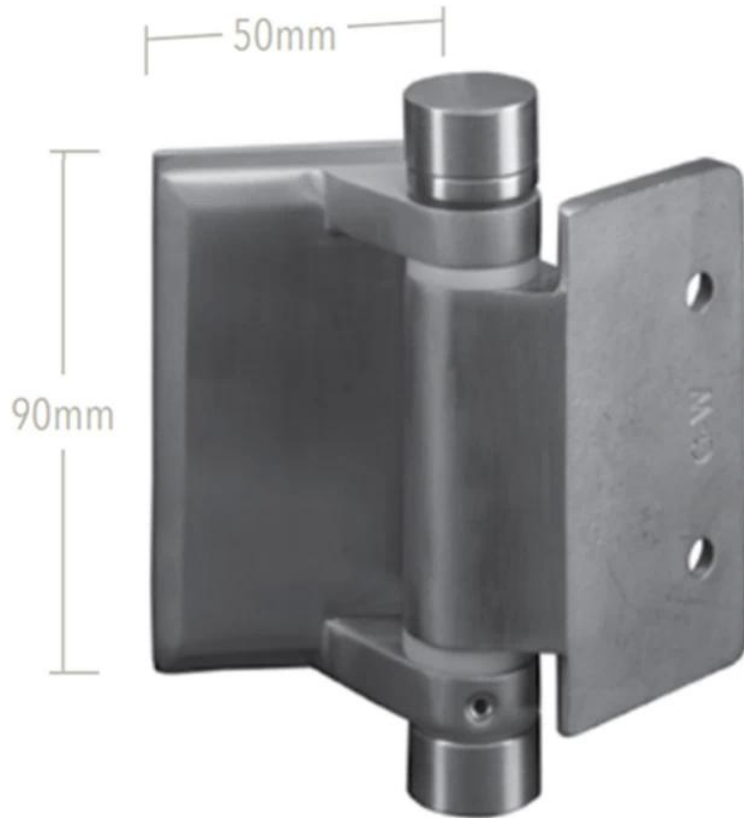
KEBIL 科比奥®



GLASS TO 42.4mm ROUND POST



GLASS TO WALL / SQUARE POST



5). Project photos of swimming pool fence with glass hinges -



