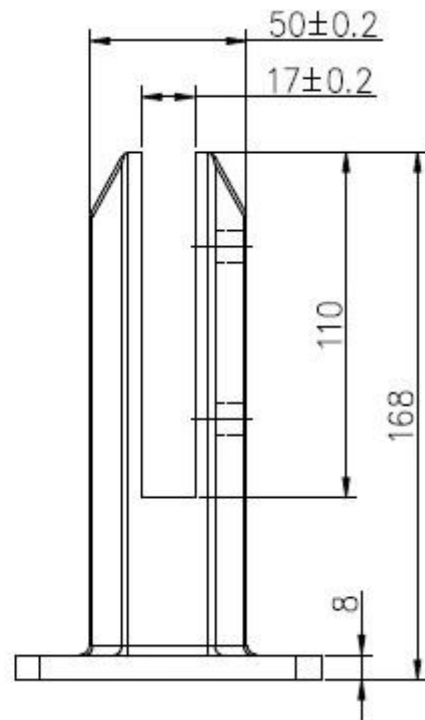
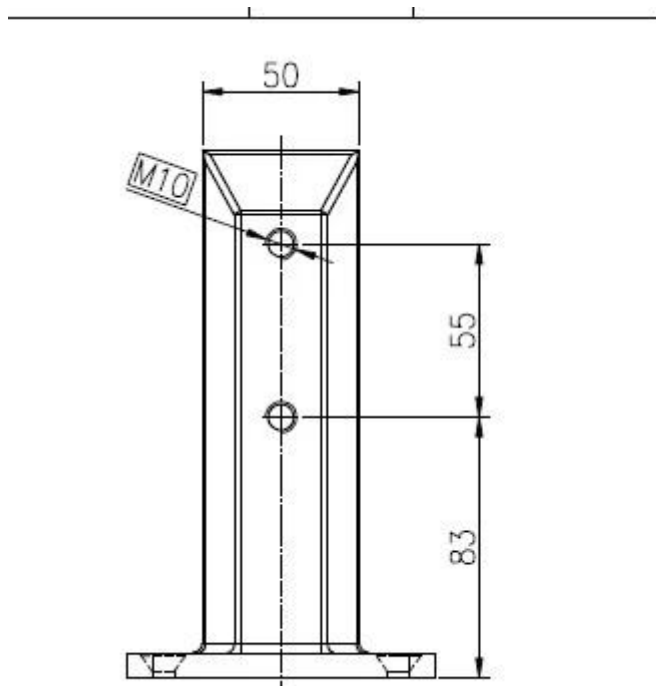


## Stainless steel square base plate glass spigot

### Detailed information:

- Item No.:SBM
- Size:50\*168mm
- Material:SS316/316L/duplex2205
- Finish:mirror and satin
- Net weight:2.1kg
- Production lead time for bulk order:30 working days
- Made by casting
- Application:glass pool fence,balcony.
- No holes require in the tempered glass panel
- Glass thickness:1/2"



**Shenzhen Launch Co.,Ltd**



*[www.launch-china.cn](http://www.launch-china.cn)*

# Shenzhen Launch Co.,Ltd



[www.launch-china.cn](http://www.launch-china.cn)

Types of glass spigot

1.round base plate glass spigot

**Shenzhen Launch Co.,Ltd**



***[www.launch-china.cn](http://www.launch-china.cn)***

- 2.round core drill glass spigot
- 3.square base plate glass spigot
- 4.square core drill glass spigot



Packing details:

1.10pcs/carton for base plate spigots

2.12pcs/carton for core drill spigots

# Shenzhen Launch Co.,Ltd



^o^email:sales03@launch-china.cn

Project show



# Shenzhen Launch Co.,Ltd



^o^email:sales03@launch-china.cn

# Shenzhen Launch Co.,Ltd



launch-china.en

^o^email:sales03@launch-china.cn



# Shenzhen Launch Co.,Ltd



^o^email:sales03@launch-china.cn