

square core drill glass spigot 316 stainless steel
passivation treatment 285mm height , for glass
swimming pool fencing

Details for [square core drill glass spigot 316 stainless steel](#)
[passivation treatment](#)

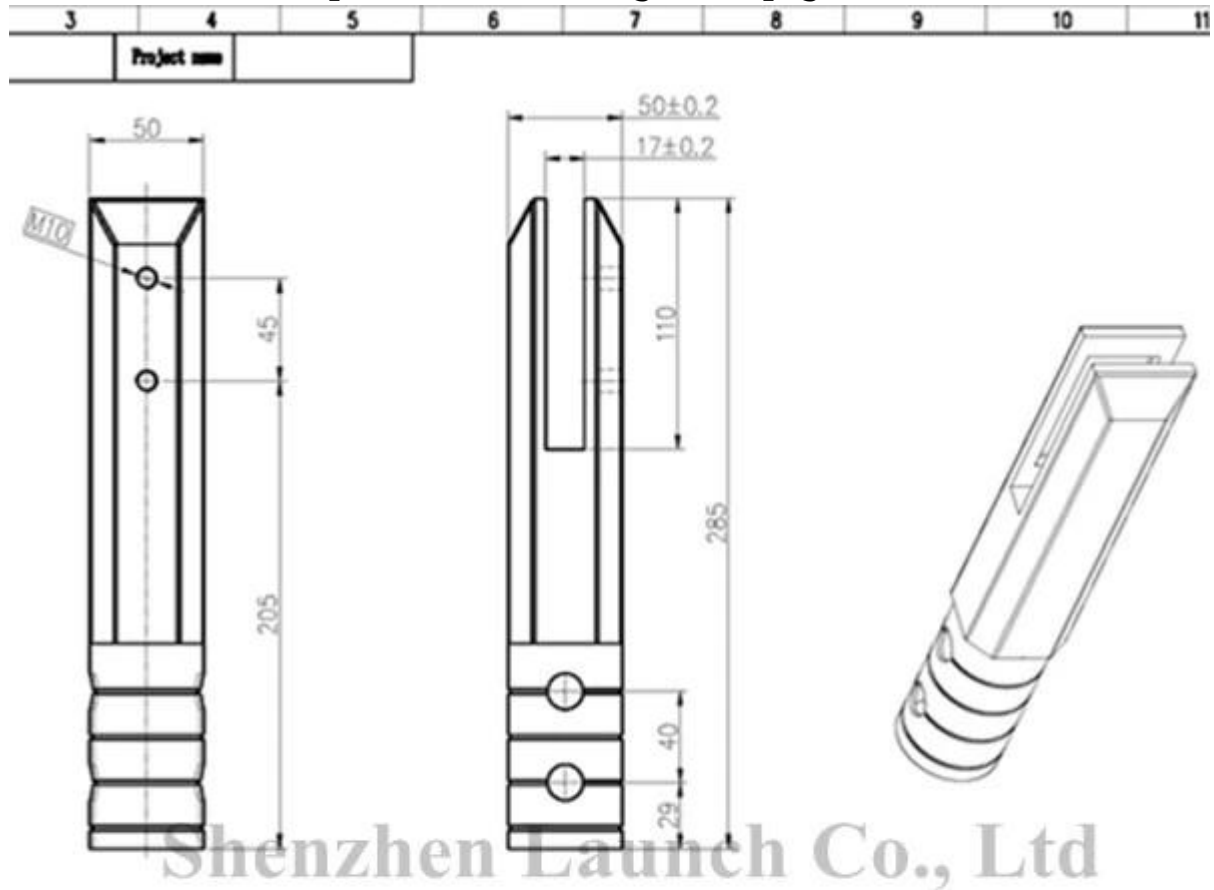
- Model # SCM-2
- In ground core drill type , 285mm length
- with passivation treatment
- 316 stainless steel

Photos for square core drill glass spigot

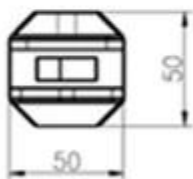
KEBIL 科比奥®



Dimension for square core drill glass spigot



Shenzhen Launch Co., Ltd



数量共页第页			深圳市朗驰商贸有限公司 SHENZHEN LAUNCH CO., LTD.		表面处理
设计	袁佳辉	图号:SCM	名称:Spigot		材料
校对			版次		未
工艺			V001		线性公差
审核			角度公差		
批准					

packing photos for square core drill glass spigot



project photo of square core drill glass spigot 316 stainless steel

around swimming pools and balcony areas .

