

Stainless steel D shape clamp for 8-10mm glass

Material: Stainless steel 304/316

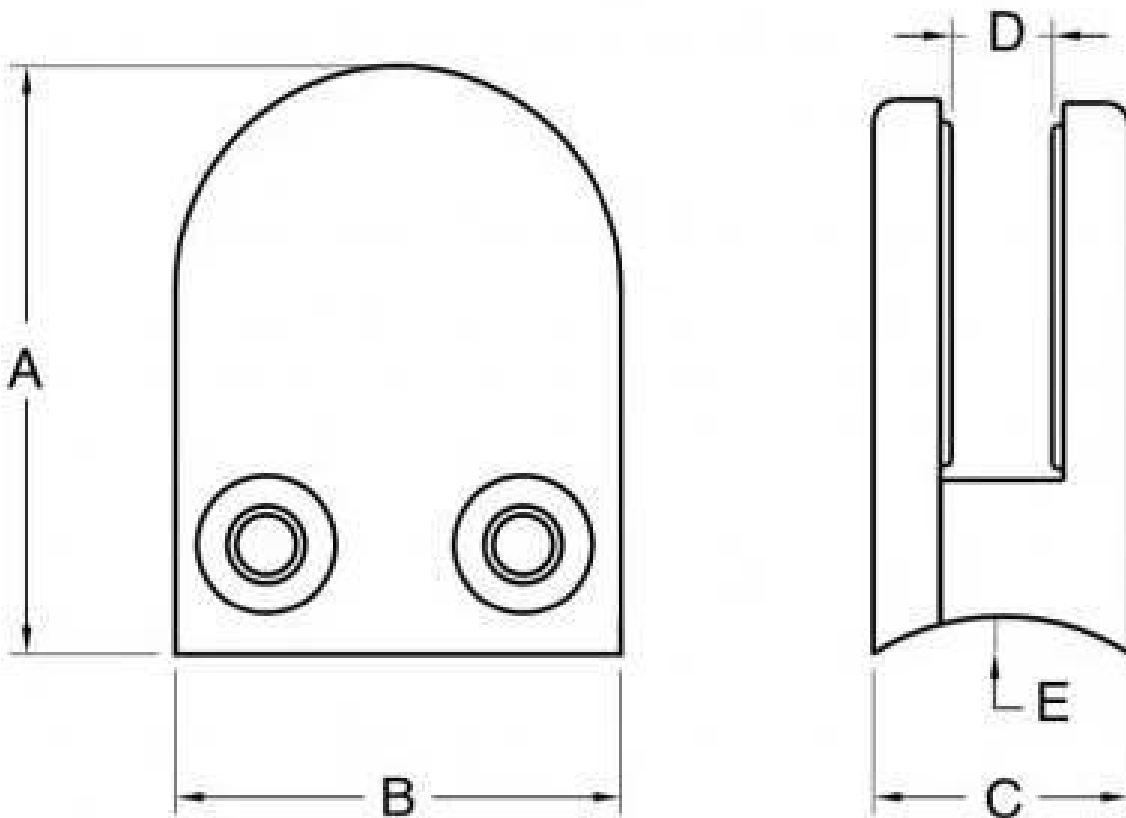
Finish: Satin brushed or mirror polished

For glass thickness: 8-10mm

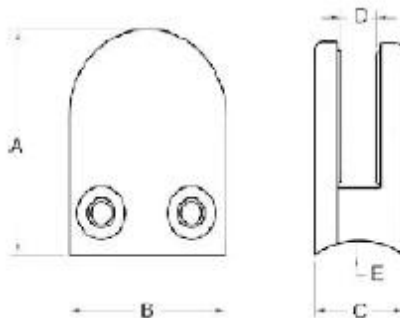
Feature: No need hole on glass

Model No. G104

1. Dimension:



Material	Stainless steel 304/ 316
Finish	Satin / mirror polished
For glass thickness	6mm -13.52mm



Model No.	A	B	C	D	E
G103	50	40	22	8	0
G104	50	40	26	12	0
G105	55	45	28	14	0
G103R	52	40	22	8	R-21.5
G104R	52	40	26	12	R-21.5
G105R	58	45	28	14	R-25.4



2. Photos:





3. Installed:





4.The other types:



Thanks for your visit, Any needs or question, please contact with me freely:
Contact: Joey Lan

Email: sales02@launch-china.cn .

Skype: launch-02. Mob/Wechat/WhatsApp: 86-18707054903