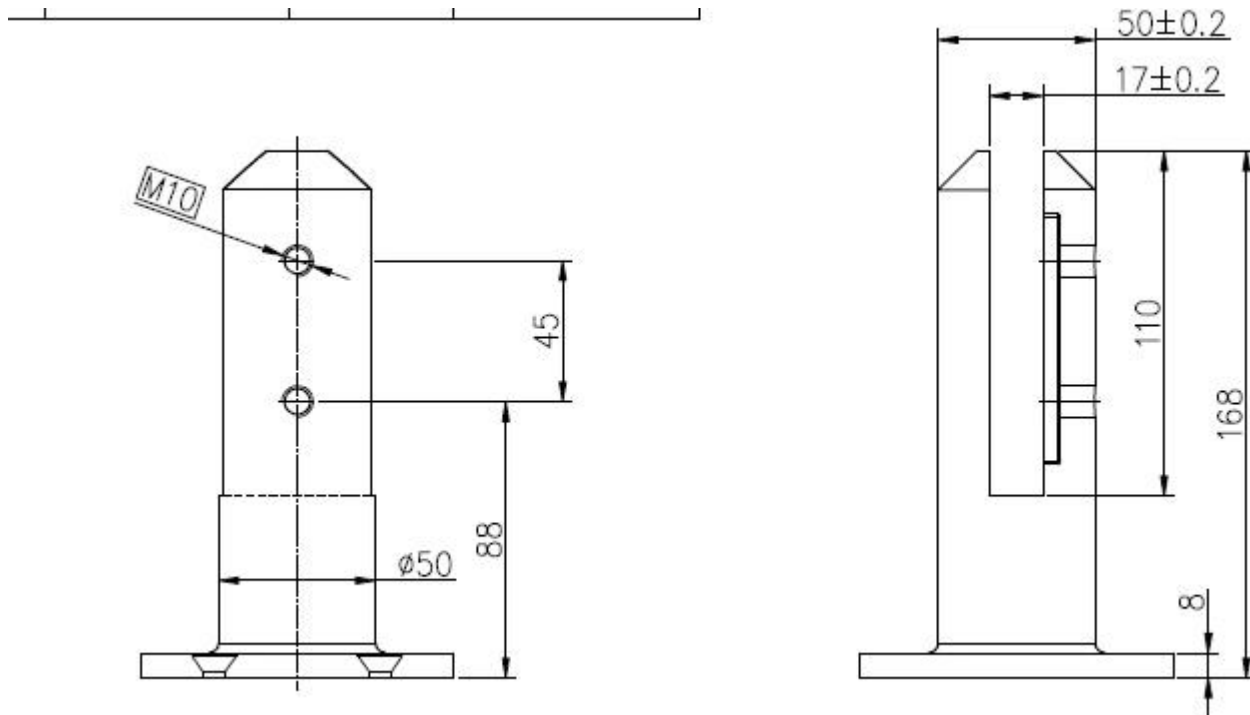


Stainless steel round base plate glass spigot is not only popular but also economical for your frameless glass fence. It is designed to suit 10-13.52mm tempered glass panel.

Specifications :

- stainless steel 316,316L , duplex 2205
- satin or mirror polished
- for 10-13.52mm tempered glass
- round base plate spigot
- AS/NZS standard
- dia50mm*168mm height+100*100mm dress ring cover
- Weight : 1.7kg
- Fitting included : cover,screws,rubber gaskets
- Application : 2 spigots support 1 glass panel



Different Models of spigot available :

- Square base plate spigot SBM
- Round base plate spigot RBM
- Square core drill spigot SCM
- Round core drill spigot RCM
- Square core drill spigot with added length SCM-1
- Round core drill spigot with added length RCM -1

Product show:

Shenzhen Launch Co.,Ltd



www.launch-china.cn

Shenzhen Launch Co.,Ltd



^o^email:sales03@launch-china.cn

Shenzhen Launch Co.,Ltd



www.launch-china.cn

Shenzhen Launch Co.,Ltd



www.launch-china.cn

Shenzhen Launch Co.,Ltd



^o^email:sales03@launch-china.cn

Packing Details :

PE foam bag+small white box+carton

10 or 12 spigots into a carton