

## stainless steel 316 glass mounting handrail bracket

adjustable handrail bracket

Model no. P708

316 stainless steel for outdoor use;

304 stainless steel for indoor use;

interior or exterior application

Glass mounting or wall mounting available

Minimum order quantity: 1 piece;

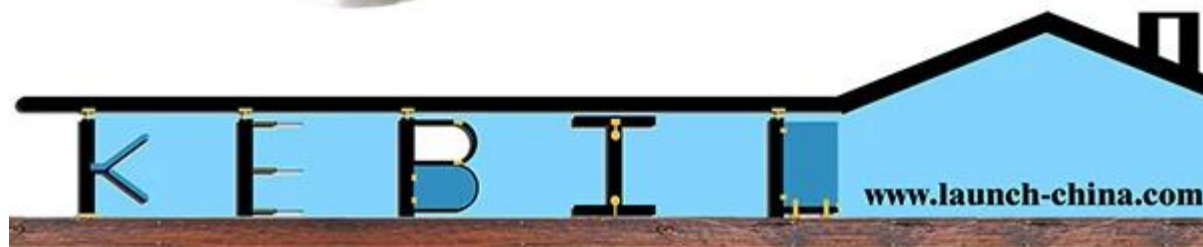
Shenzhen sea port

Produced by Shenzhen launch

### **P708 glass mounting handrail bracket;**



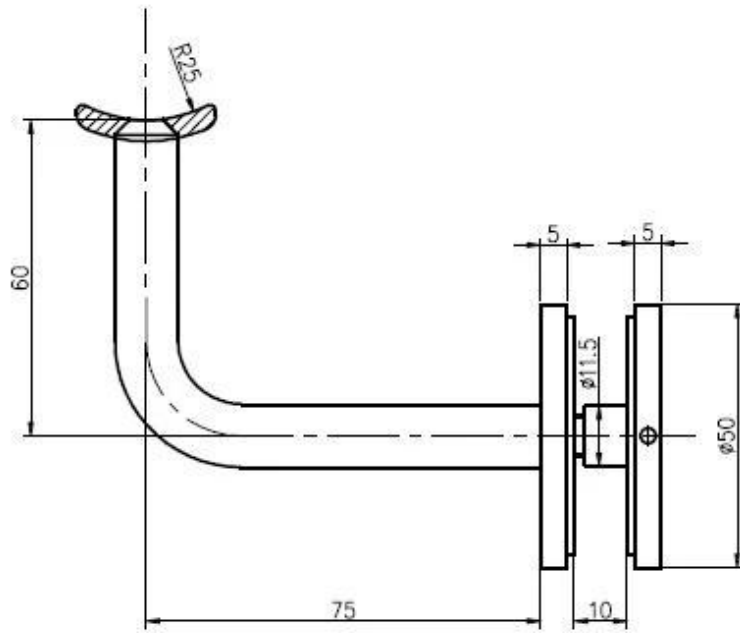
**P708**



### **Size drawing as below:**

gap between handrail and glass is 75mm;

handrail size 38.1mm, 42.4mm, 50.8mm or variety size of square/rectangular size;



**P708 parts, glass clamp, bar, handrail holder;**



Please send us inquiry to [sales04@launch-china.cn](mailto:sales04@launch-china.cn)