

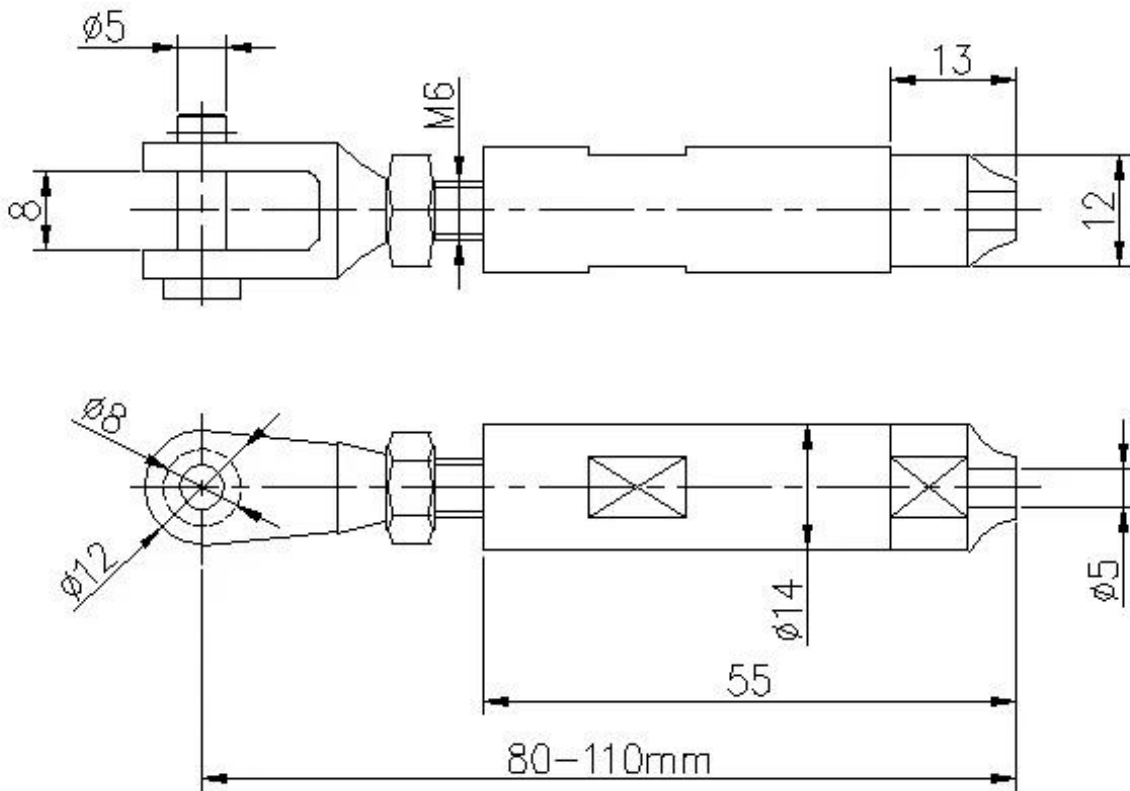
stainless steel 5mm cable tensioner hardware  
swageless for cable railing system applied on staircase , balcony deck areas etc .

Model #	T803
Item	cable tensioner hardware for cable railings
Type	swageless , no need hydraulic crimpers
Material	304/316 stainless steel
Finish	satin or mirror , black electro plating
Cable diameter	4mm 5mm
Application	mount to steel or wood
MOQ	10 pairs
Payment term	Paypal , TT
Lead time	1- 3 weeks

Photos of T803



Dimensions of T803-



More photos of T803 -



T803 cable tensioner with wood screw

















T803 cable tensioner project photos -



