

Duplex 2205 stainless steel core drill in ground heavy duty glass spigot for frameless swimming pool glass fencing .

# Features of core drill in ground glass spigot -

1. Need drill holes in the ground for fixing
2. For 10-13.52mm thickness glass panels
3. with decorative cover ring
4. duplex 2205 material
5. satin /mirror /black finish
6. 2 pcs for a glass panel within 1.2m wide
7. MOQ 10 pcs

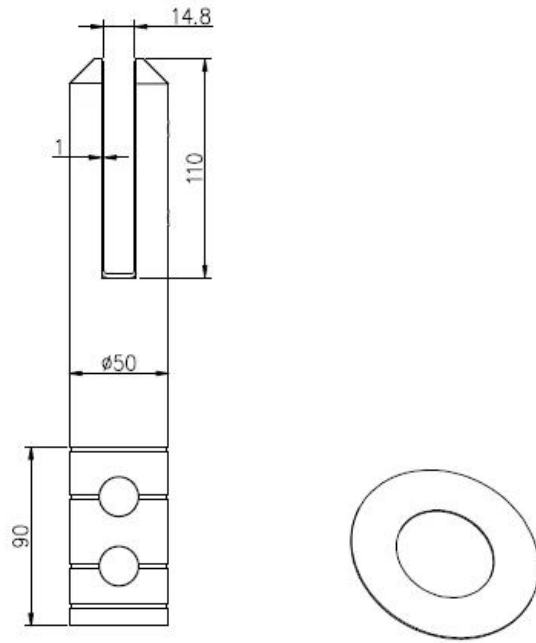
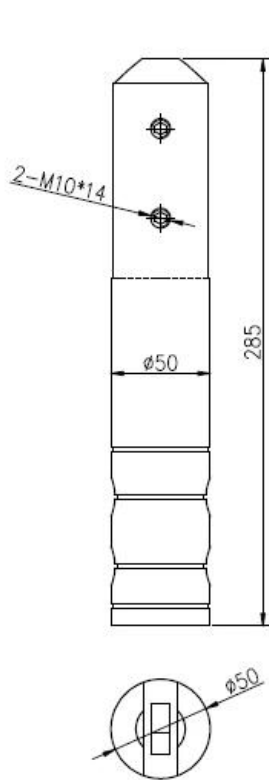
#RCM core drill glass spigot photo & drawing -

**KEBIL** 科比奥®









深圳市朗驰商贸有限公司 SHENZHEN LAUNCH CO., LTD.			表面处理	比例
设计	裴佳辉	图号:RCM	材料 2205	1:2.5
校对		名称:RCMpigot	未注实体尺寸公差	
工艺			X	±0.1
审核		版次	线性公差	XX ±0.1
批准			角度公差	XXX ±0.1
		V001	X	±1°
			XX	±0.5°

# Packing photos for RCM-\



2014/03/19



We have more models of glass spigots for your selection -



MODEL # SBM



MODEL # SCM



MODEL # RBM



MODEL # RCM

*Glass spigot*

Related glass pool fence hardwares you may need -

# [Glass gate hinges](#)

# Glass latches

# [Mini top handrails](#)

\* Project photos of glass spigot swimming pool fence-





